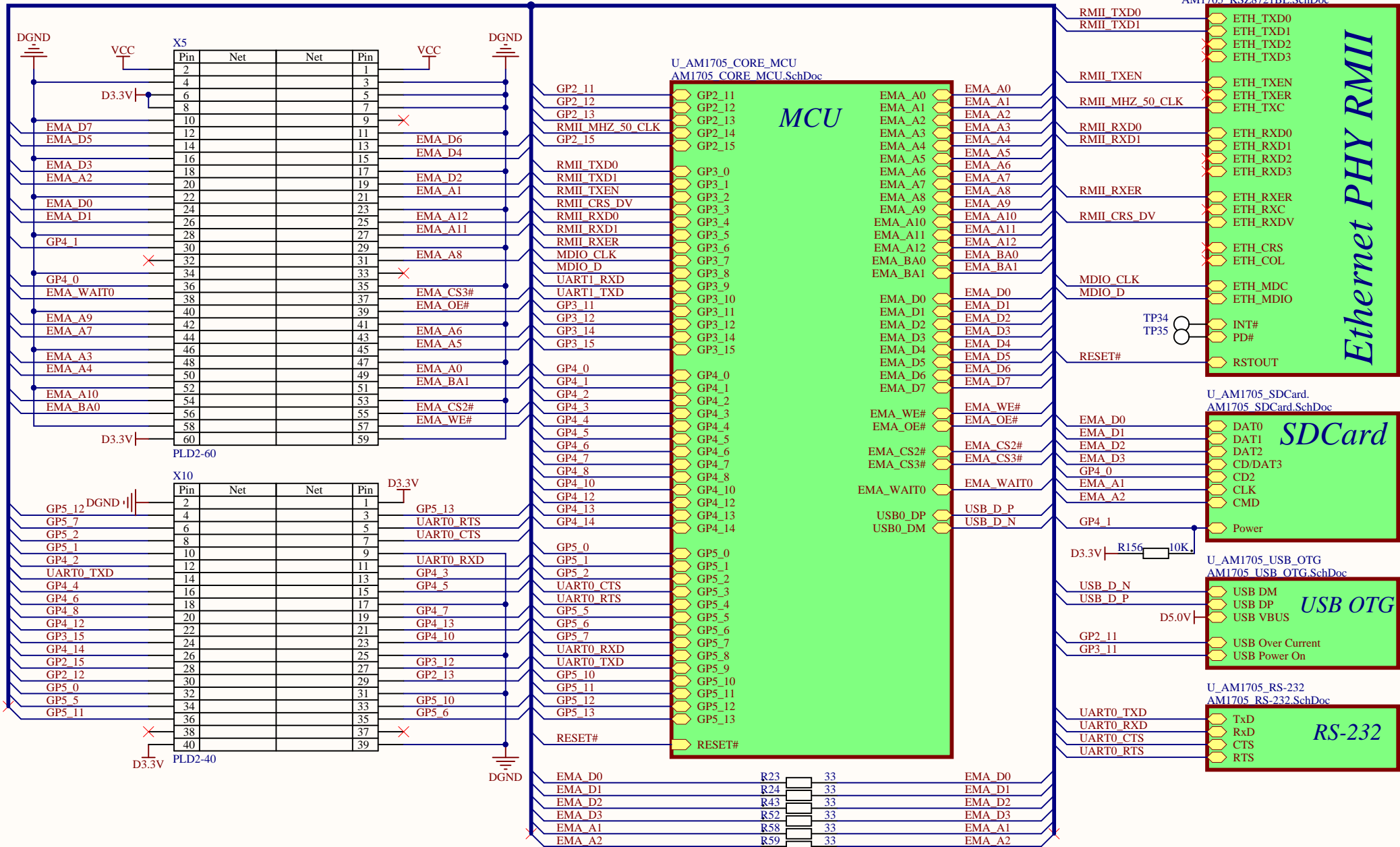


SI-AM1705-SBC-PLD2

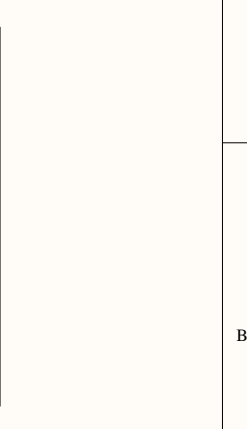
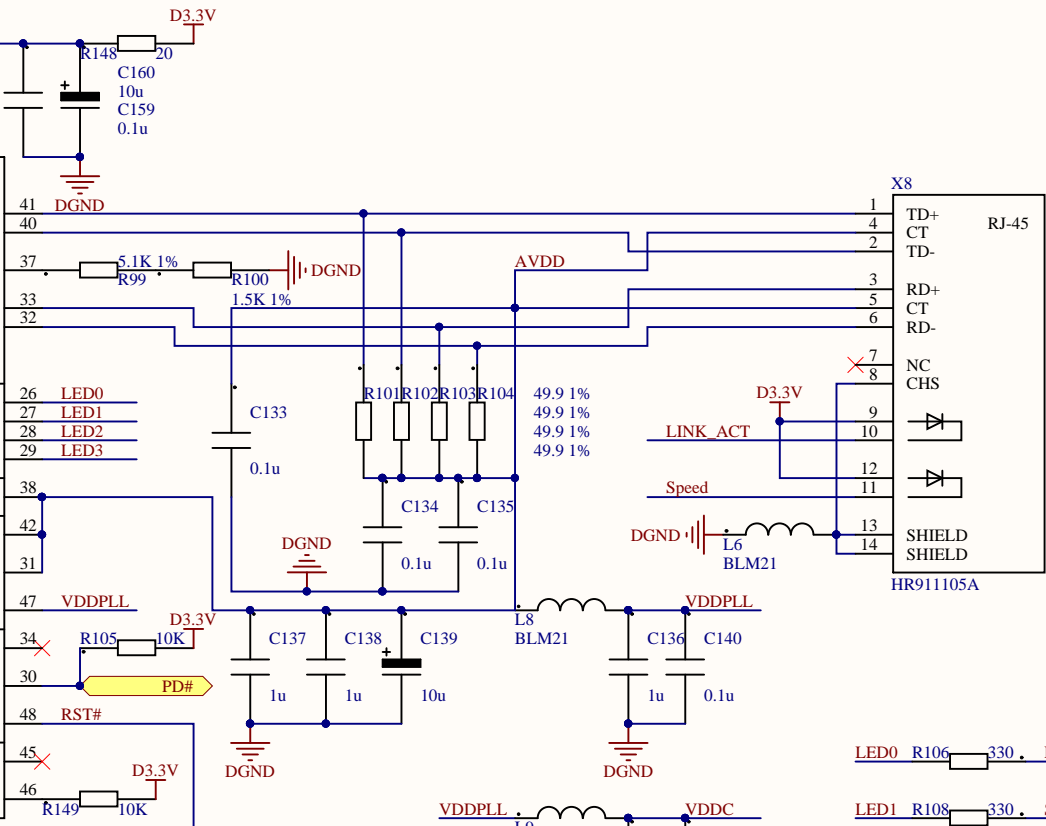
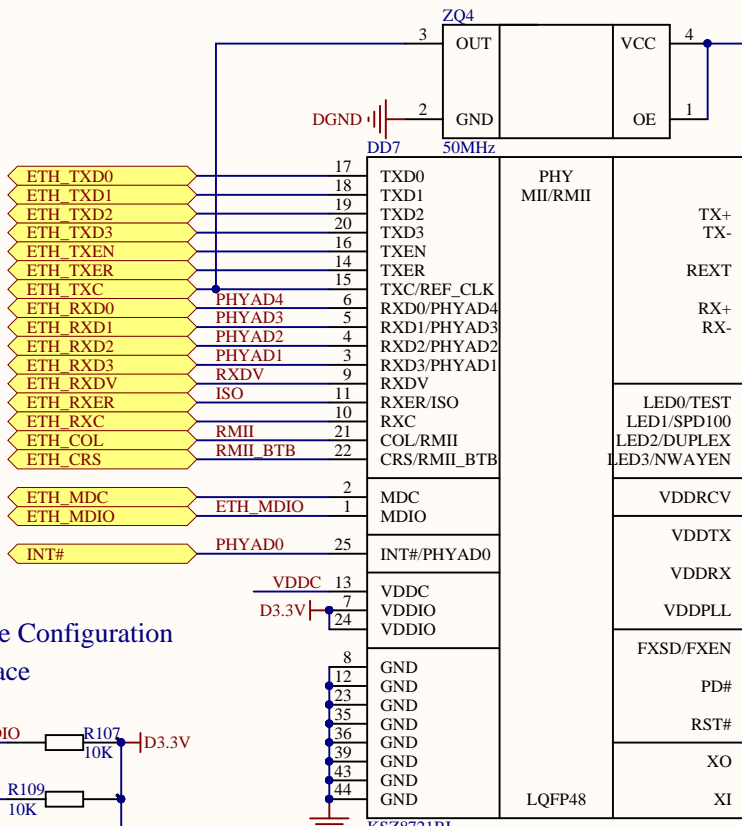


Ethernet PHY RMII

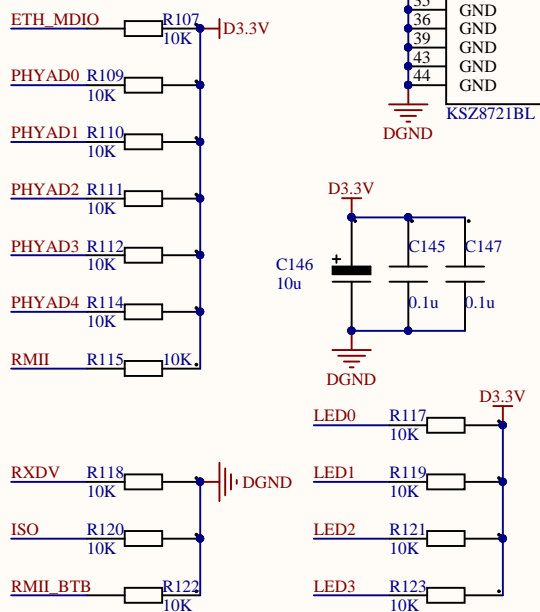
SDCard

USB OTG

RS-232



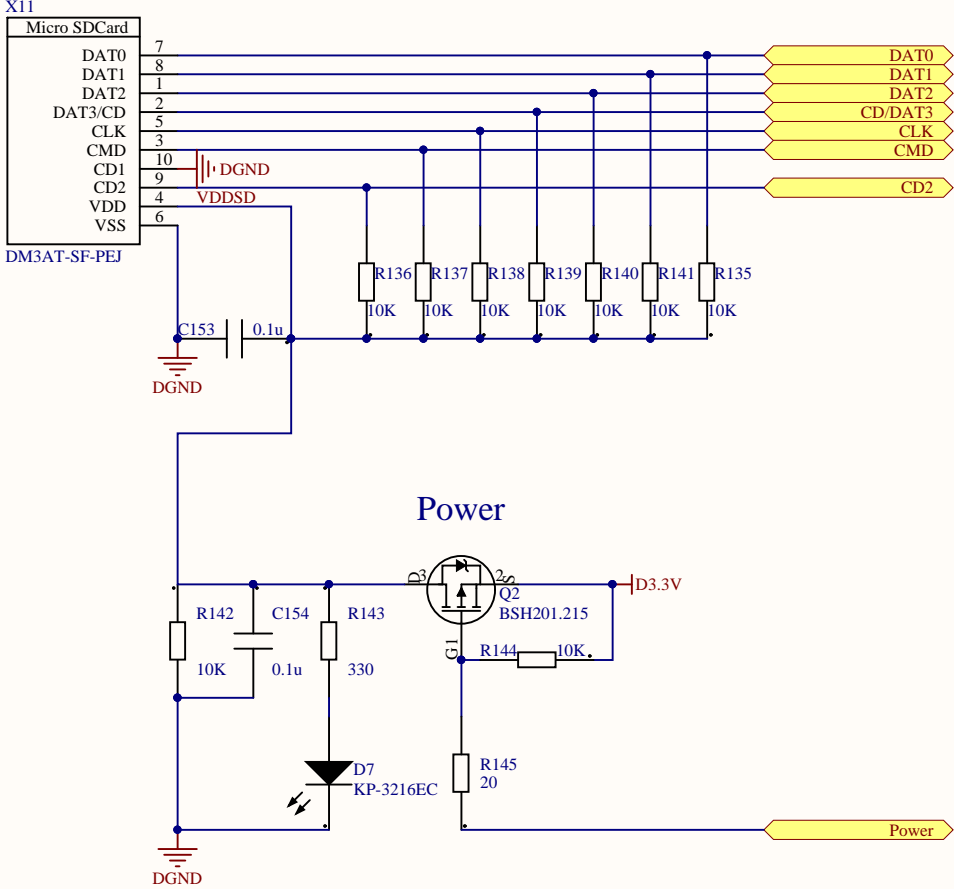
Device Configuration Interface



Device Configuration Interface

PHY Address latched at power-up/reset. The default PHY address is 00001.
 Enables PCS_LPBK mode at power-up/reset. PD (default) = Disable, PU = Enable.
 Enables ISOLATE mode at power-up/reset. PD (default) = Disable, PU = Enable.
 Enables RMII mode at power-up/reset. PD (default) = Disable, PU = Enable.
 Enable RMII back-to-back mode at power-up/reset. PD (default) = Disable, PU = Enable.
 Latched into Register 0h bit 13 during power-up/reset. PD = 10Mbps, PU (default) = 100Mbps. If SPD100 is asserted during power-up/reset, this pin is also latched as LED1 the Speed Support in register 4h. (If FXEN is pulled up, the latched value 0 means no Far_End_Fault.)
 Latched into Register 0h bit 8 during power-up/reset PD = Half-duplex PU

SDCard



1

2

3

4

A

A

B

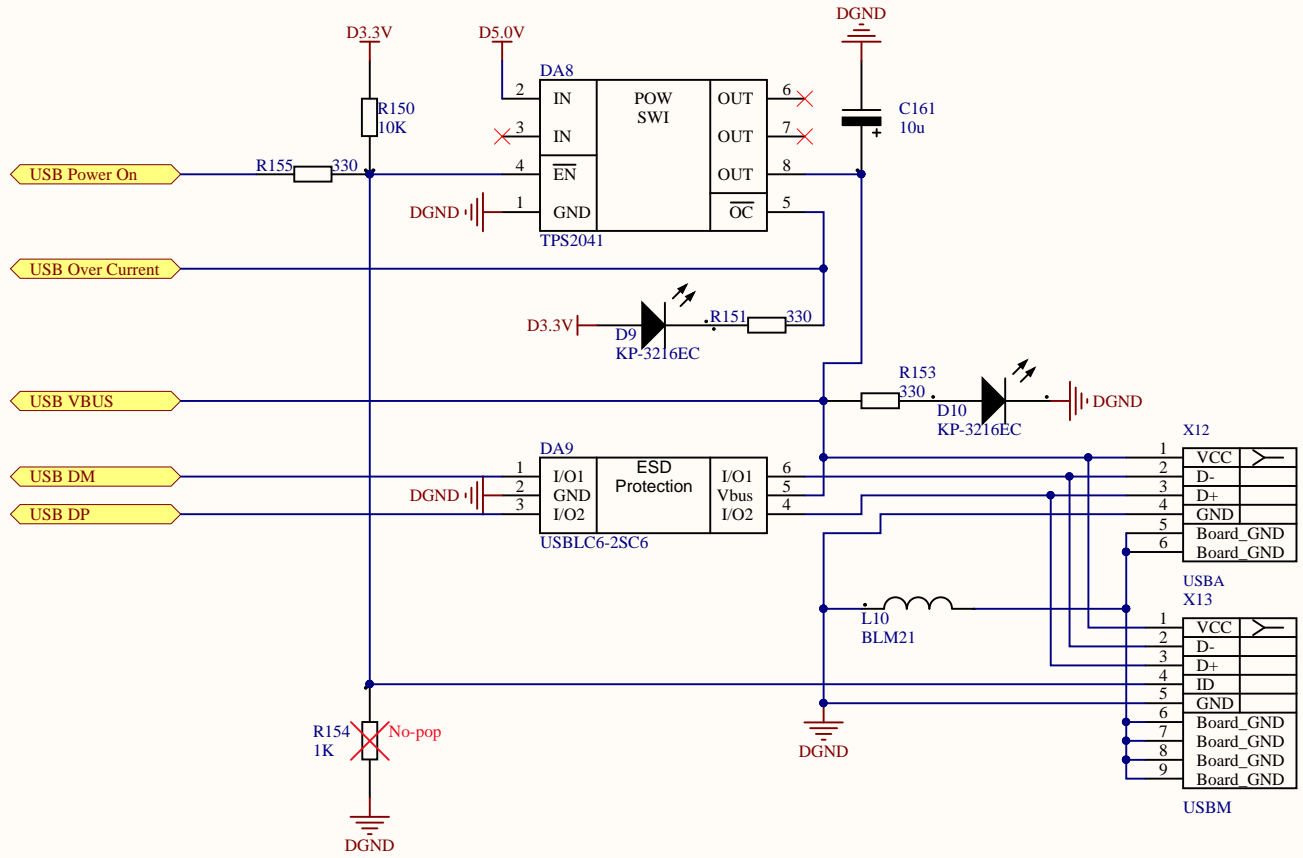
B

C

C

D

D



USB OTG

1

2

3

4

1

2

3

4

A

A

B

B

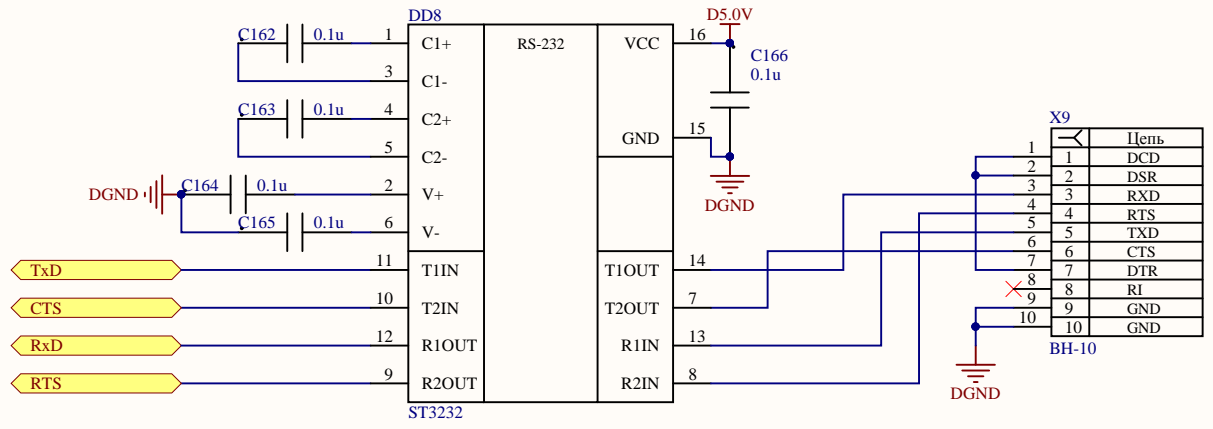
C

C

D

D

RS-232



1

2

3

4