

DDIC

Table with 2 columns: MCU PORT0 and FBGA361. Lists various GPIO pins and their connections to external components like GP0_0/PRU0_R31_8/ECAP1/APWM1/CLKS1/AXR8.

AM1808

DDID

Table with 2 columns: MCU PORT1 and FBGA361. Lists various GPIO pins and their connections to external components like GP1_2/I2C1_SDA/UART2_TXD/SPI1_SCS4.

AM1808

DDIE

Table with 2 columns: MCU PORT2 and FBGA361. Lists various GPIO pins and their connections to external components like GP2_0/EMA_CS0, GP2_1/PRU0_R30_1/PRU0_R31_1/EMA_WAIT1.

AM1808

DDIF

Table with 2 columns: MCU PORT3 and FBGA361. Lists various GPIO pins and their connections to external components like GP3_0/EMA_D8, GP3_1/EMA_D9.

AM1808

DDIG

Table with 2 columns: MCU PORT4 and FBGA361. Lists various GPIO pins and their connections to external components like GP4_0/PRU1_R30_24/MMCS00_DAT5/EMA_A16.

AM1808

DDIH

Table with 2 columns: MCU PORT5 and FBGA361. Lists various GPIO pins and their connections to external components like GP5_0/EMA_A0, GP5_1/EMA_A1.

AM1808

DDII

Table with 2 columns: MCU PORT6 and FBGA361. Lists various GPIO pins and their connections to external components like GP6_0/PRU1_R31_28/LCD_AC_ENB_CS.

AM1808

DDIJ

Table with 2 columns: MCU PORT7 and FBGA361. Lists various GPIO pins and their connections to external components like GP7_0/BOOT0/UPP_XD0/LCD_D8/VP_DOUT8.

AM1808

DDIK

Table with 2 columns: MCU PORT8 and FBGA361. Lists various GPIO pins and their connections to external components like GP8_3/MIL_RXD2/UART0_TXD/SPI0_SCS4.

AM1808

Table with 2 columns: MCU PORT8 and FBGA361. Lists various GPIO pins and their connections to external components like GP8_0/EMA_A0, GP8_1/EMA_A1.

DDIN

Table with 2 columns: MCU PORTS and FBGA361. Lists various GPIO pins and their connections to external components like PRU0_R30_6/MIL_RXD/EPWM0B/SPIO_ENA.

AM1808

Table with 2 columns: MCU PORTS and FBGA361. Lists various GPIO pins and their connections to external components like GP0_0, GP0_1, GP0_2.

AM1808

Table with 2 columns: MCU PORTS and FBGA361. Lists various GPIO pins and their connections to external components like GP1_2, GP1_3, GP1_4.

AM1808

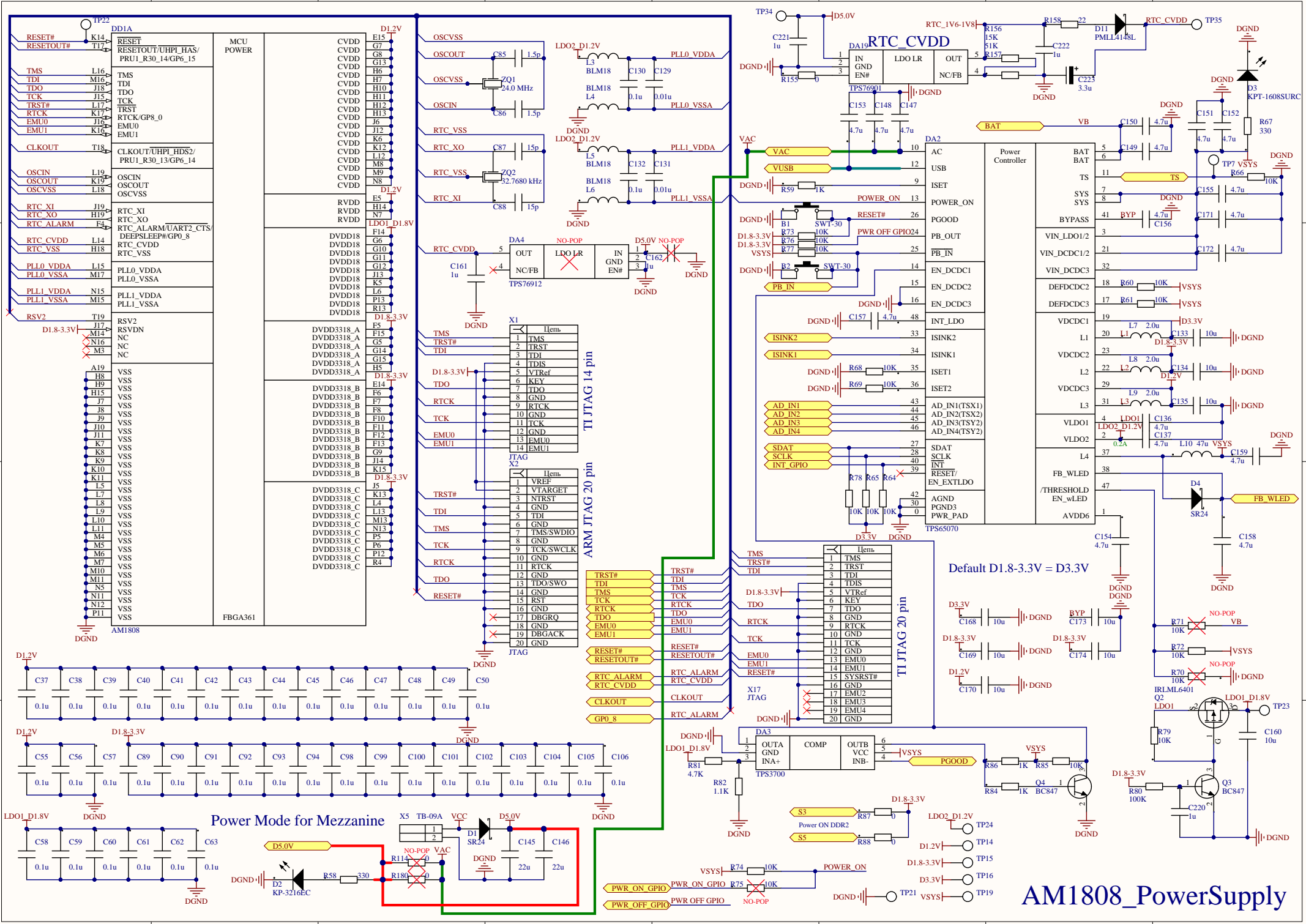
Table with 2 columns: MCU PORTS and FBGA361. Lists various GPIO pins and their connections to external components like EMA_CS0#, EMA_WAIT1, EMA_D0M1#.

AM1808

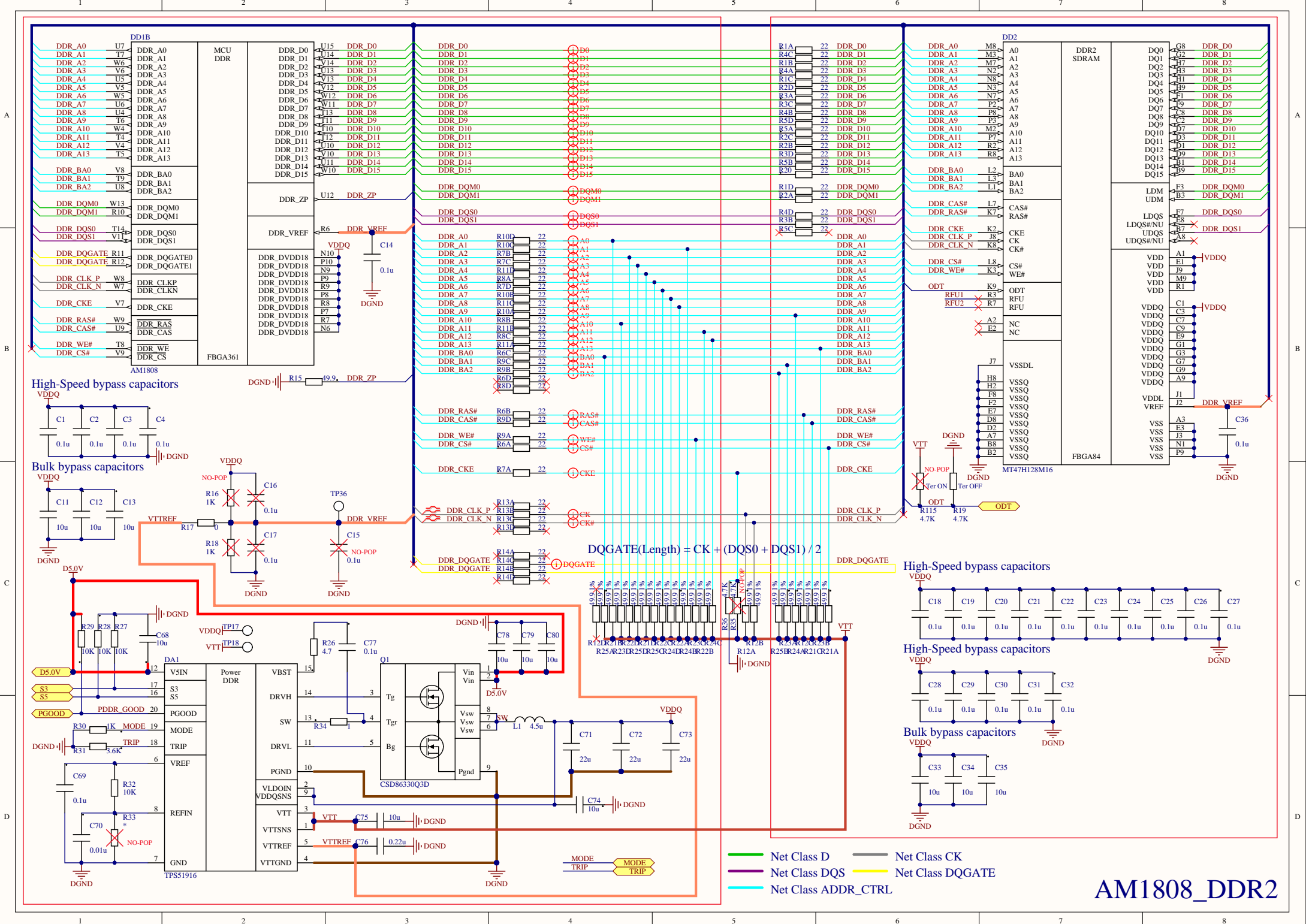
Table with 2 columns: MCU PORTS and FBGA361. Lists various GPIO pins and their connections to external components like SPIO_ENA, VP_DIN15_VSYNC, VP_DIN14_HSYNC.

AM1808

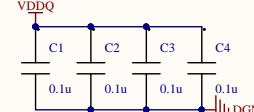
Table with 2 columns: MCU PORTS and FBGA361. Lists various GPIO pins and their connections to external components like EMA_D0M1#, EMA_D0M1#.



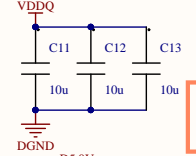
AM1808_PowerSupply



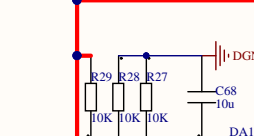
High-Speed bypass capacitors



Bulk bypass capacitors



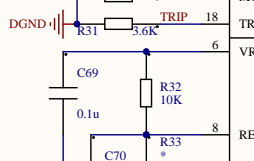
High-Speed bypass capacitors



High-Speed bypass capacitors



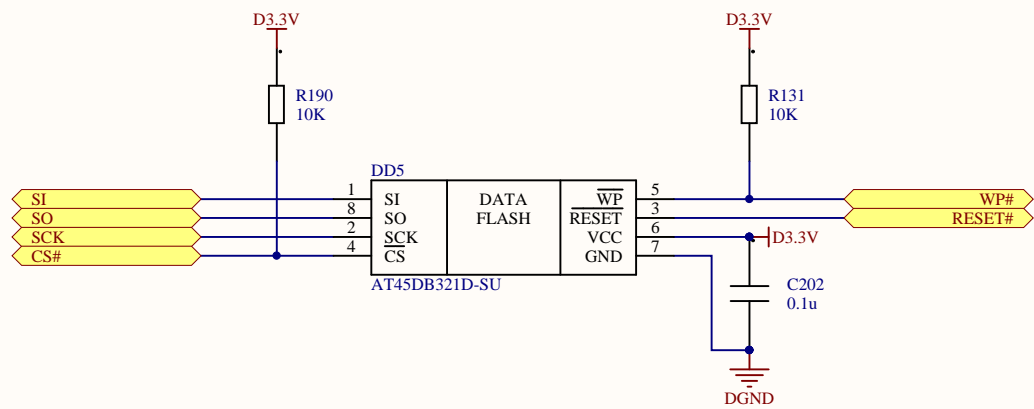
Bulk bypass capacitors



$$DQGATE(\text{Length}) = CK + (DQS0 + DQS1) / 2$$

- Net Class D
- Net Class CK
- Net Class DQS
- Net Class DQGATE
- Net Class ADDR_CTRL

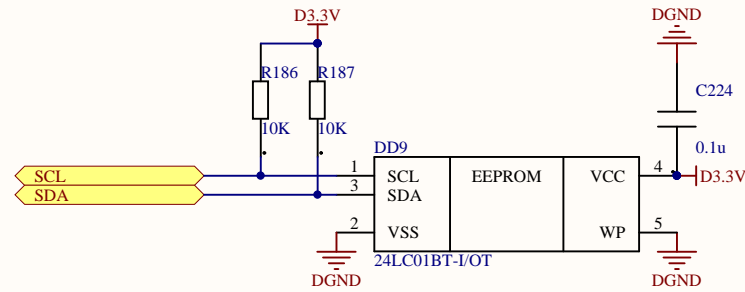
AM1808_DDR2



AM1808_DATAFLASH

Table Boot Mode

Mode	I2C0 Slave	I2C1 Slave	I2C0 EEPROM	I2C1 EEPROM
Boot0	1	1	0	0
Boot1	0	1	0	1
Boot2	0	1	0	1
Boot3	0	0	0	0
Boot4	0	0	0	0
Boot5	0	0	0	0
Boot6	0	0	0	0
Boot7	0	0	0	0



AM1808_EEPROM

A

B

C

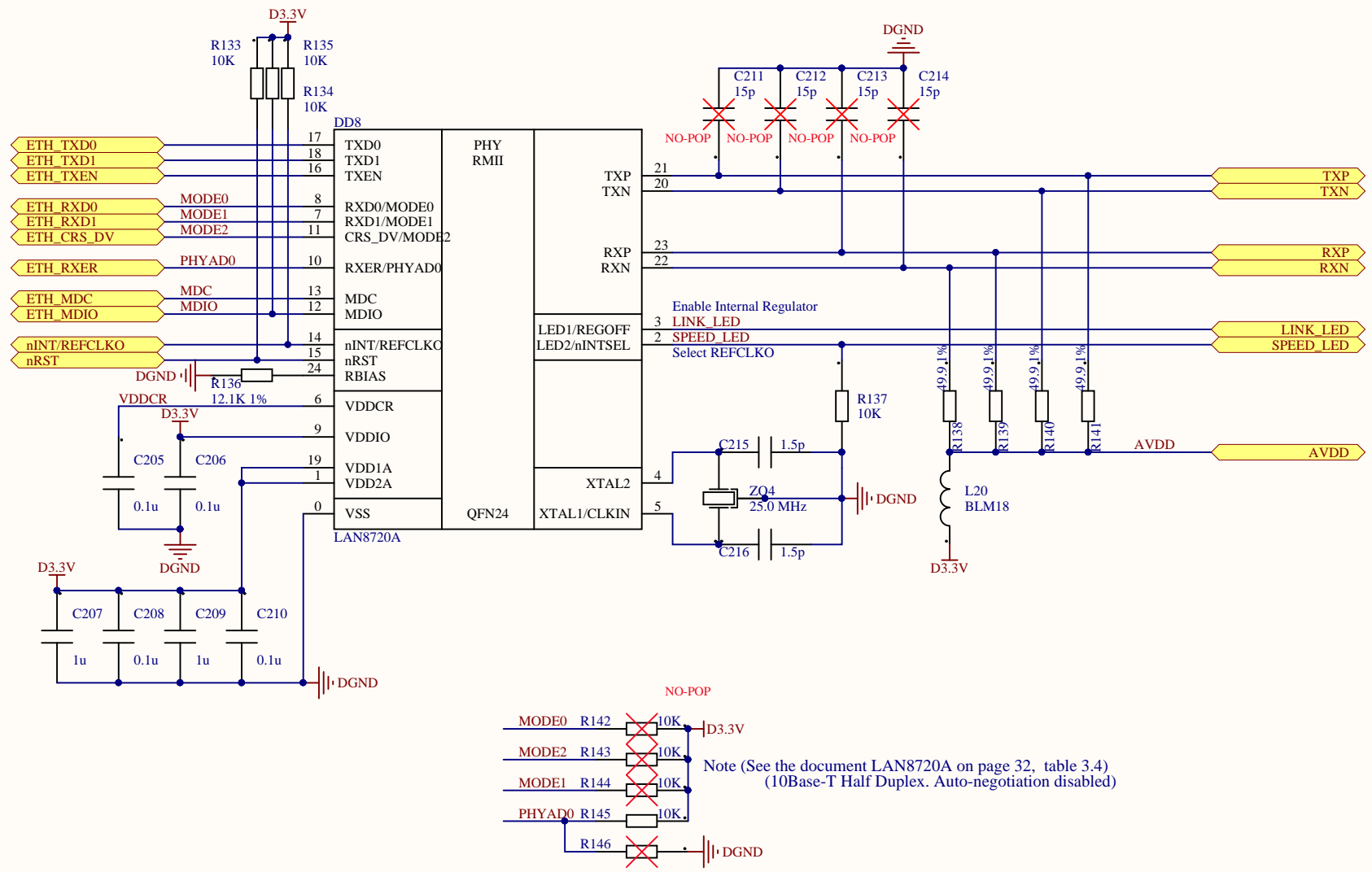
D

A

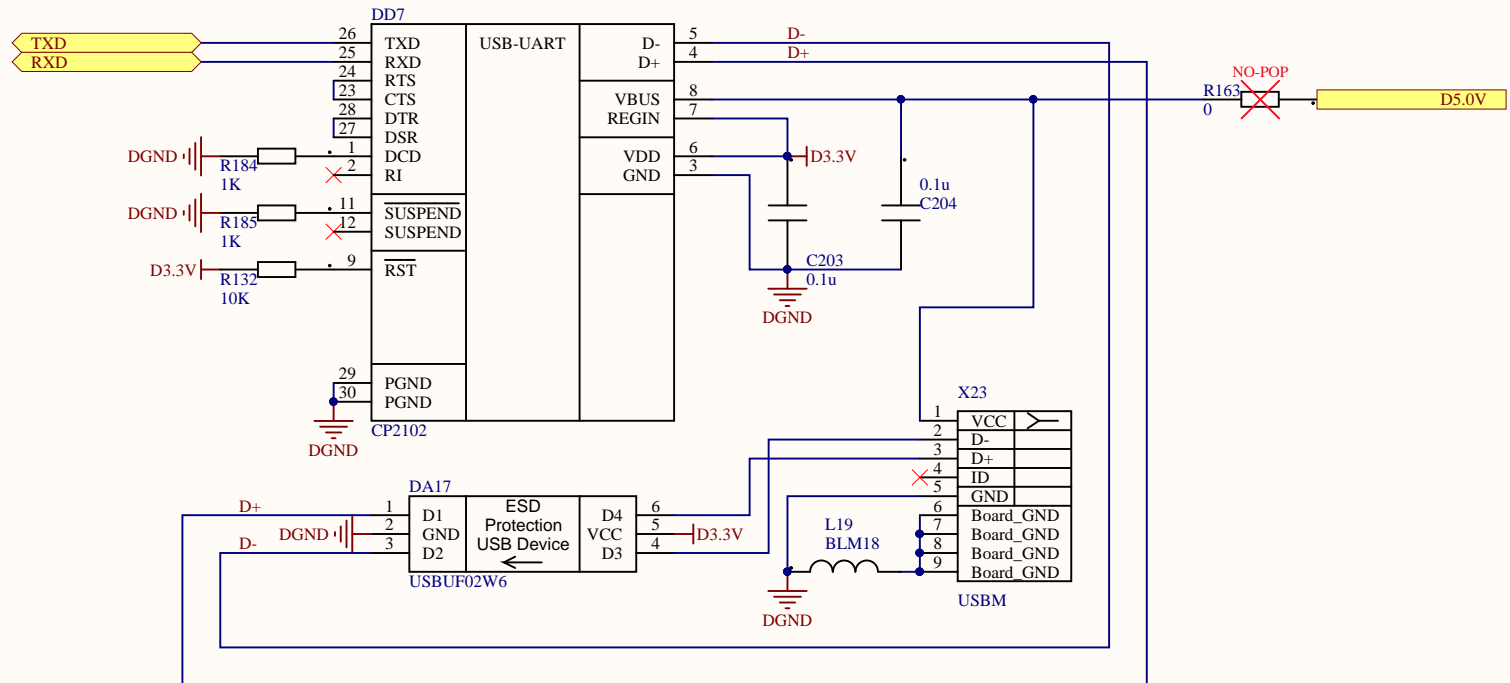
B

C

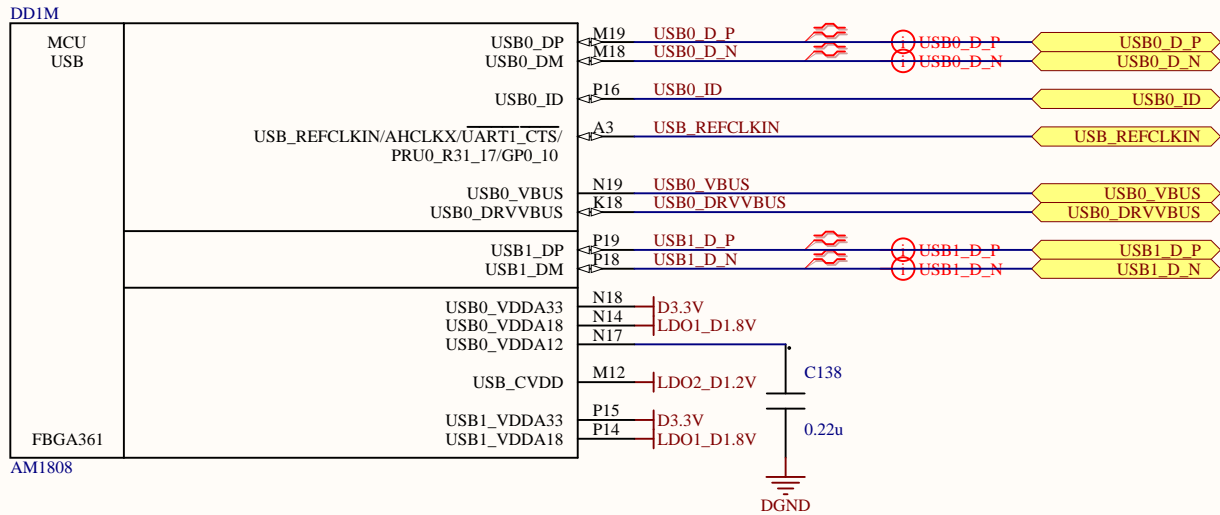
D



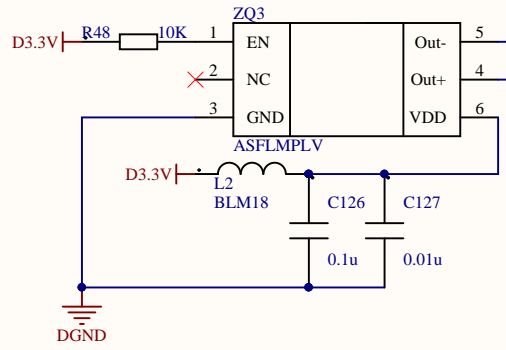
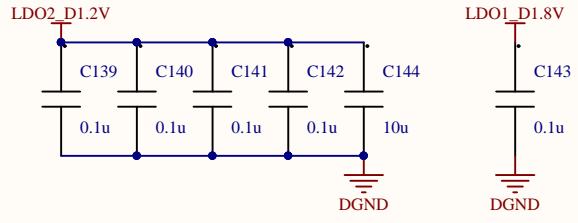
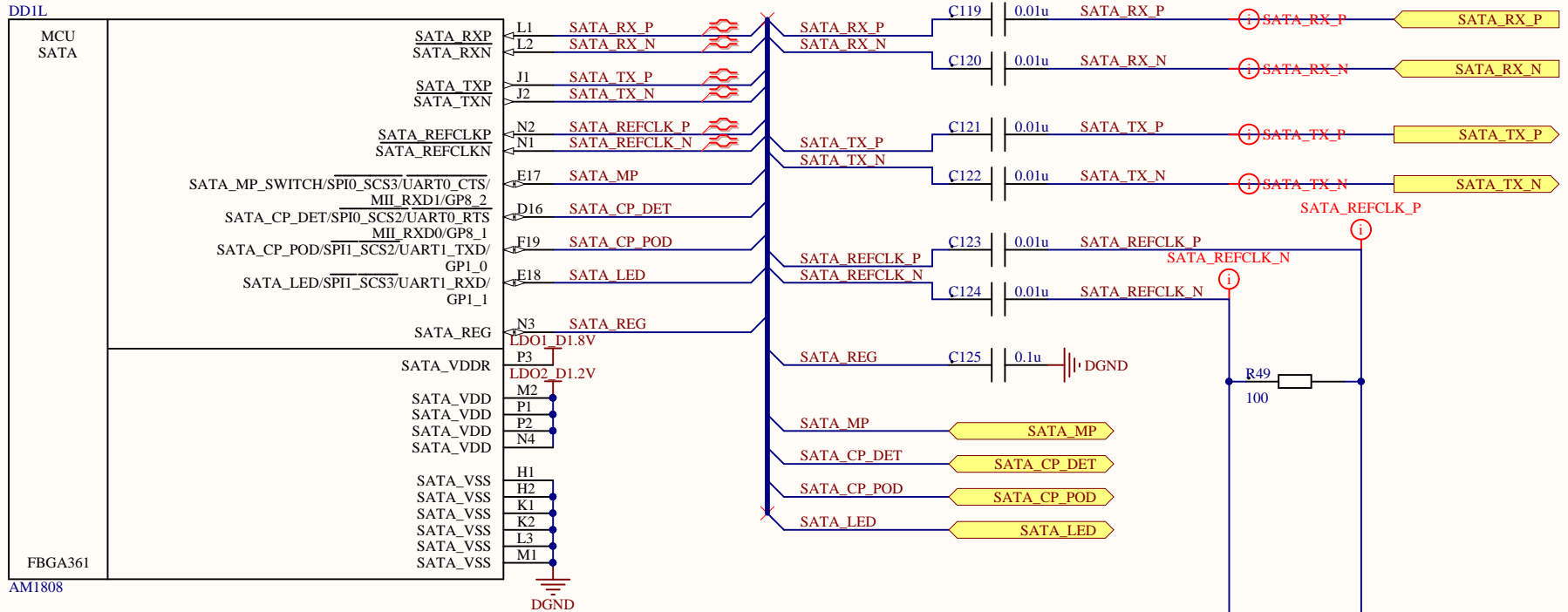
AM1808_Ethernet



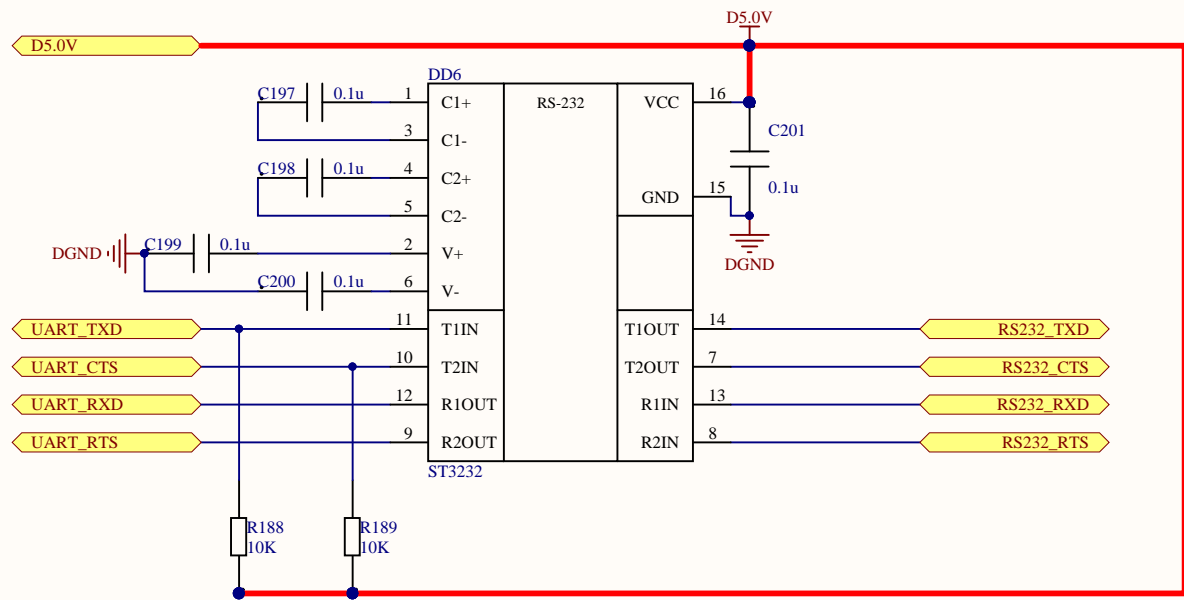
AM1808_UartDebug



AM1808_USB



AM1808_SATA



AM1808_RS-232

Table Boot Mode

Mode	Uart0	Uart1	Uart2	SPI0 Flash	SPI1 Flash	Nand8	Nand16	MMC/SD0	ED
Boot0	0	1	0	0	0	0	0	0	1
Boot1	1	1	0	1	0	1	0	0	1
Boot2	1	1	1	0	1	1	0	1	1
Boot3	0	0	0	1	1	1	0	1	1
Boot4	1	1	1	0	0	0	1	1	1
Boot5	X	X	X	0	0	X	X	X	0
Boot6	X	X	X	0	0	X	X	0	0
Boot7	X	X	X	0	0	0	0	0	0

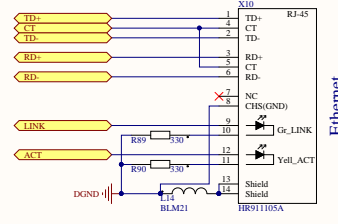
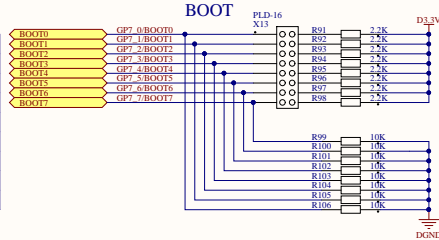
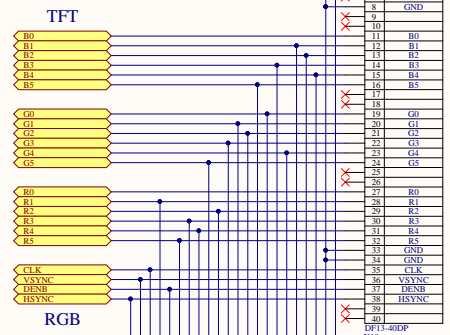
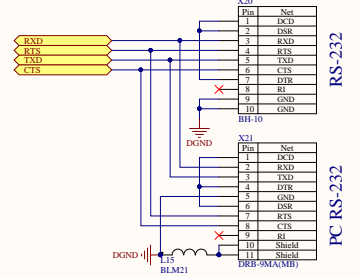


Table Boot Mode for Mezzanine

Mode	Uart0	MMC/SD0	Nand8	Nand16	ED
Boot0	0	0	0	0	0
Boot1	1	0	1	0	1
Boot2	1	1	1	0	1
Boot3	0	1	1	0	1
Boot4	1	1	0	1	1
Boot5	X	0	X	X	0
Boot6	X	0	0	0	0
Boot7	X	0	0	0	0



1

2

3

4

A

A

B

B

C

C

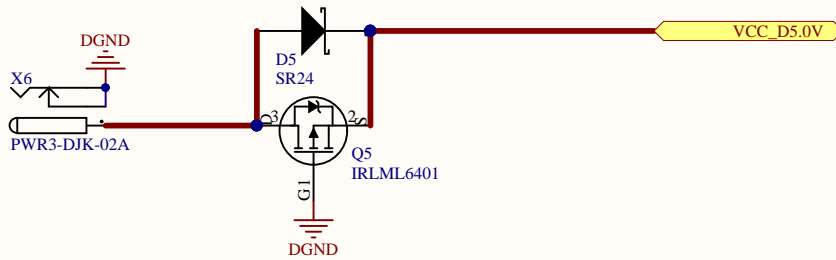
D

D

ATX 4 pin 12V Power Connector Pinout



DC-ADAPTER +5V



1

2

3

4