

DD1C

Table with 2 columns: MCU PORT0 and FBGA361. Lists various pins and their connections to GP0_0 through GP0_15.

AM1808 DD1D

Table with 2 columns: MCU PORT1 and FBGA361. Lists various pins and their connections to GP1_2 through GP1_15.

AM1808 DD1E

Table with 2 columns: MCU PORT2 and FBGA361. Lists various pins and their connections to GP2_0 through GP2_15.

AM1808 DD1F

Table with 2 columns: MCU PORT3 and FBGA361. Lists various pins and their connections to GP3_0 through GP3_15.

AM1808 DD1G

Table with 2 columns: MCU PORT4 and FBGA361. Lists various pins and their connections to GP4_0 through GP4_15.

AM1808

R38B

EMA DQM1#

EMA DQM1#

DD1H

Table with 2 columns: MCU PORT5 and FBGA361. Lists various pins and their connections to GP5_0 through GP5_15.

AM1808 DD1I

Table with 2 columns: MCU PORT6 and FBGA361. Lists various pins and their connections to GP6_0 through GP6_15.

AM1808 DD1J

Table with 2 columns: MCU PORT7 and FBGA361. Lists various pins and their connections to GP7_0 through GP7_15.

AM1808 DD1K

Table with 2 columns: MCU PORT8 and FBGA361. Lists various pins and their connections to GP8_0 through GP8_15.

AM1808

Table with 2 columns: MCU PORTS and FBGA361. Lists various pins and their connections to GP5_0 through GP5_15.

DD1N

Table with 2 columns: MCU PORTS and FBGA361. Lists various pins and their connections to PRU0_R30 through PRU0_R31.

AM1808

Table with 2 columns: MCU PORTS and FBGA361. Lists various pins and their connections to GP0_0 through GP0_15.

AM1808

Table with 2 columns: MCU PORTS and FBGA361. Lists various pins and their connections to GP1_2 through GP1_15.

AM1808

Table with 2 columns: MCU PORTS and FBGA361. Lists various pins and their connections to GP2_0 through GP2_15.

AM1808

Table with 2 columns: MCU PORTS and FBGA361. Lists various pins and their connections to GP3_0 through GP3_15.

AM1808

Table with 2 columns: MCU PORTS and FBGA361. Lists various pins and their connections to GP4_0 through GP4_15.

Table with 2 columns: MCU PORTS and FBGA361. Lists various pins and their connections to PIN C17 through PIN D15.

Table with 2 columns: MCU PORTS and FBGA361. Lists various pins and their connections to PIN C17 through PIN D15.

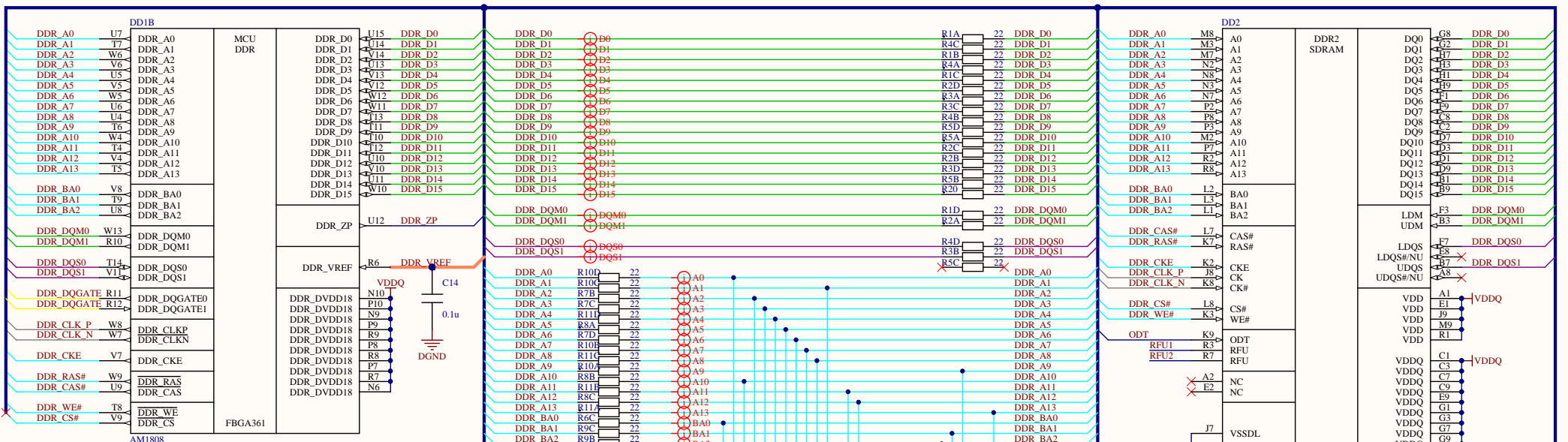
Table with 2 columns: MCU PORTS and FBGA361. Lists various pins and their connections to PIN C17 through PIN D15.

Table with 2 columns: MCU PORTS and FBGA361. Lists various pins and their connections to PIN C17 through PIN D15.

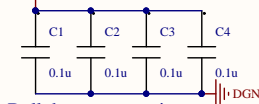
Table with 2 columns: MCU PORTS and FBGA361. Lists various pins and their connections to PIN C17 through PIN D15.

Table with 2 columns: MCU PORTS and FBGA361. Lists various pins and their connections to PIN C17 through PIN D15.

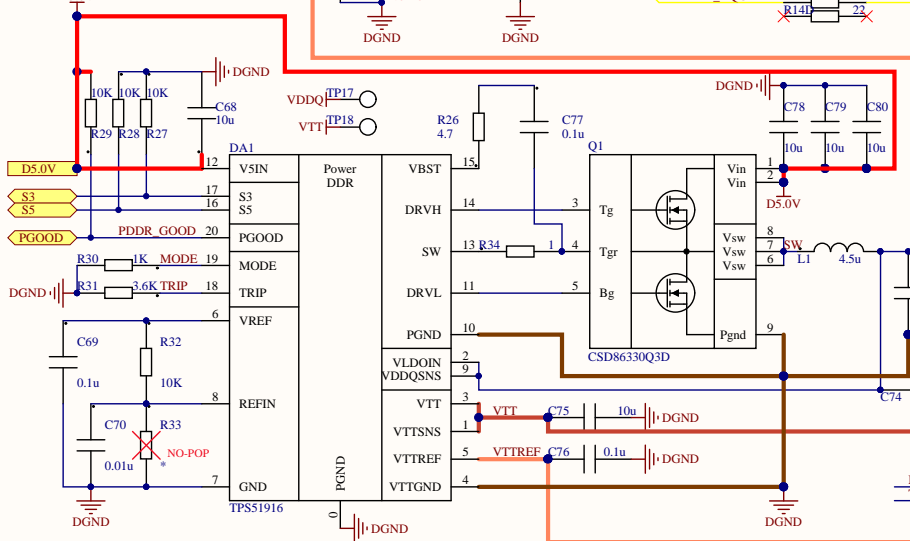
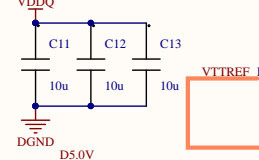
AM1808_PORT



High-Speed bypass capacitors

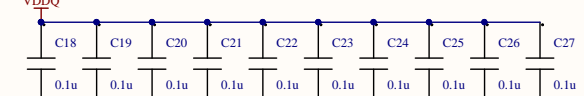


Bulk bypass capacitors

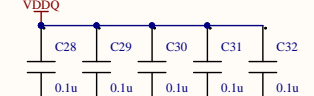


$$DQGATE(\text{Length}) = CK + (DQS0 + DQS1) / 2$$

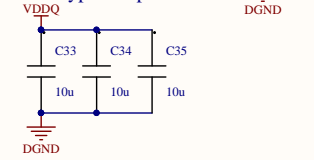
High-Speed bypass capacitors



High-Speed bypass capacitors

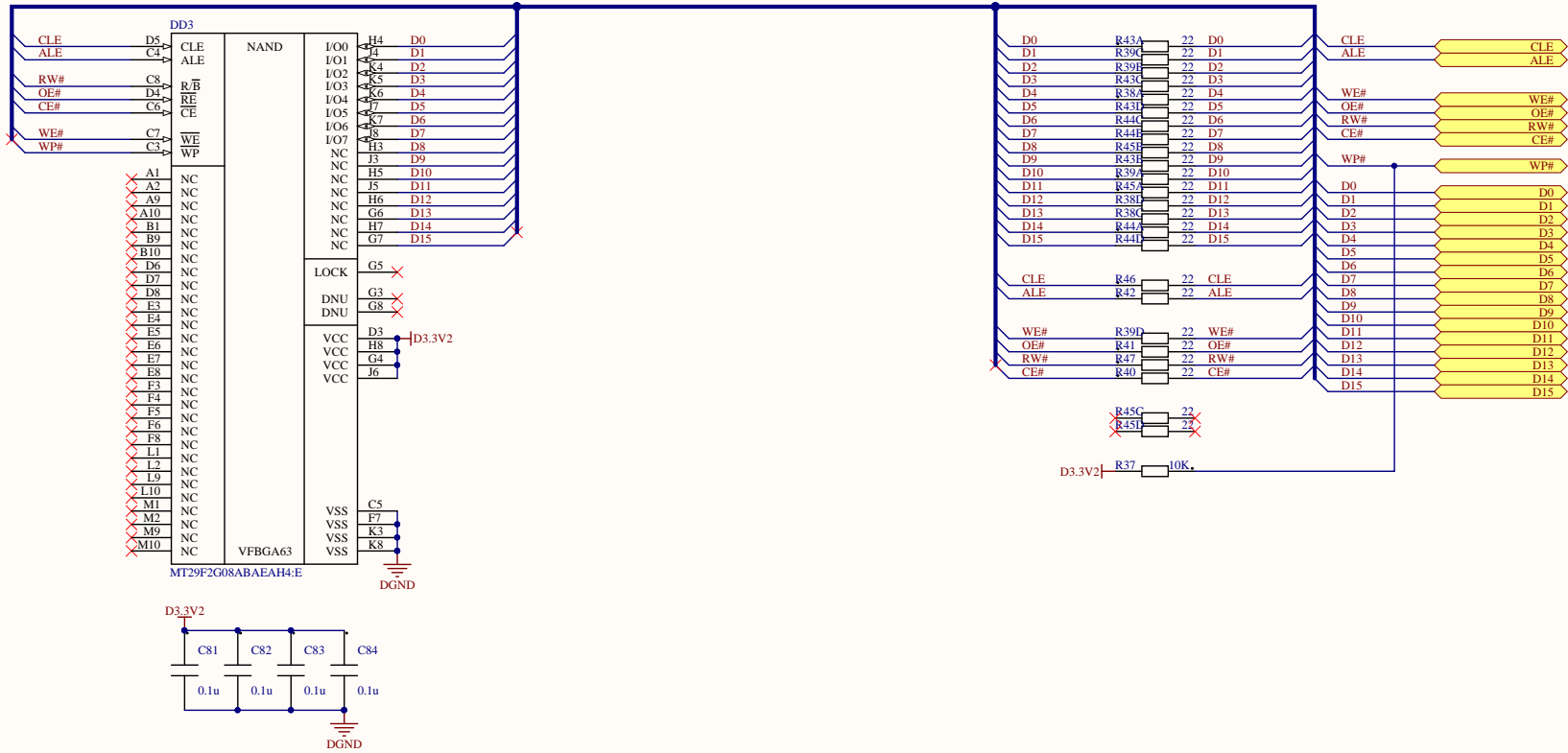


Bulk bypass capacitors



- Net Class D
- Net Class DQS
- Net Class ADDR_CTRL
- Net Class CK
- Net Class DQGATE

AM1808_DDR2



1

2

3

4

A

A

B

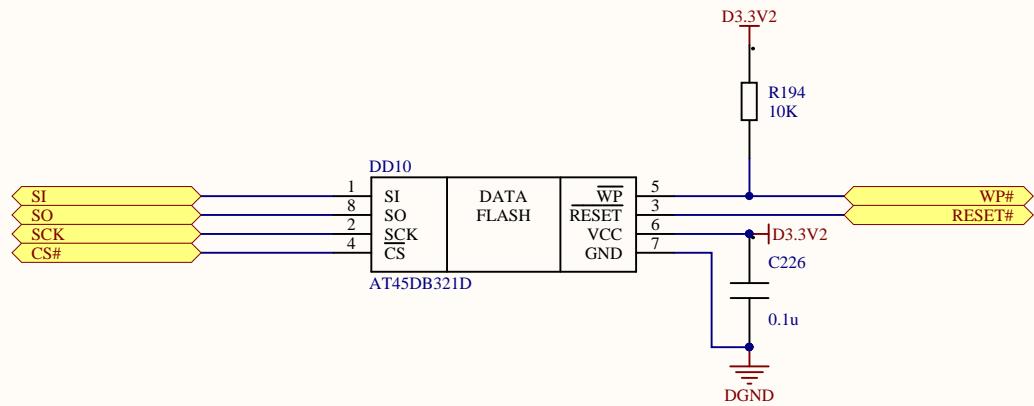
B

C

C

D

D



AM1808_DATAFLASH

1

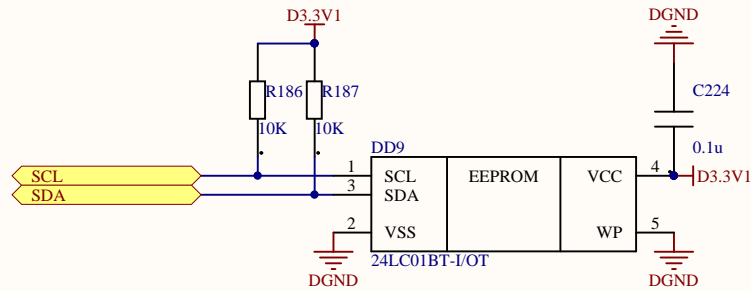
2

3

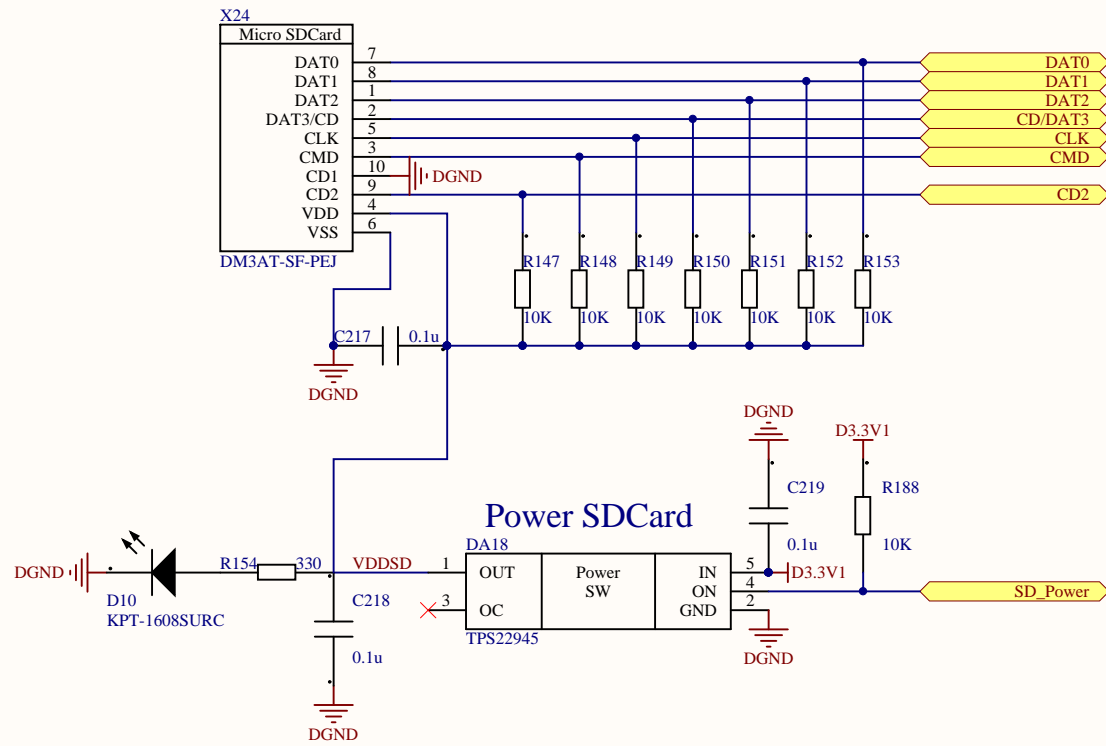
4

Table Boot Mode

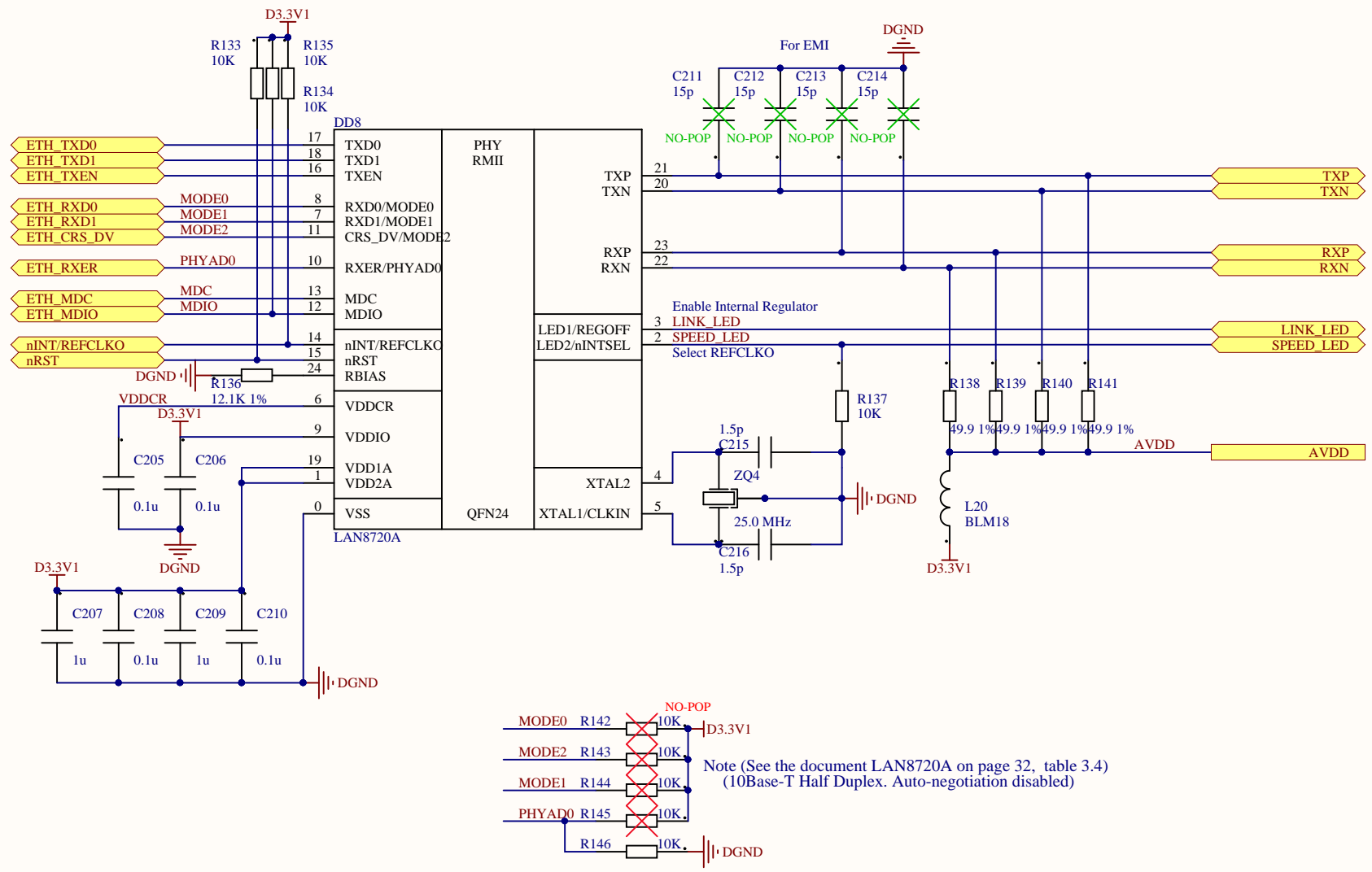
Mode	I2C0 Slave	I2C1 Slave	I2C0 EEPROM	I2C1 EEPROM
Boot0	1	1	0	0
Boot1	0	1	0	1
Boot2	0	1	0	1
Boot3	0	0	0	0
Boot4	0	0	0	0
Boot5	0	0	0	0
Boot6	0	0	0	0
Boot7	0	0	0	0



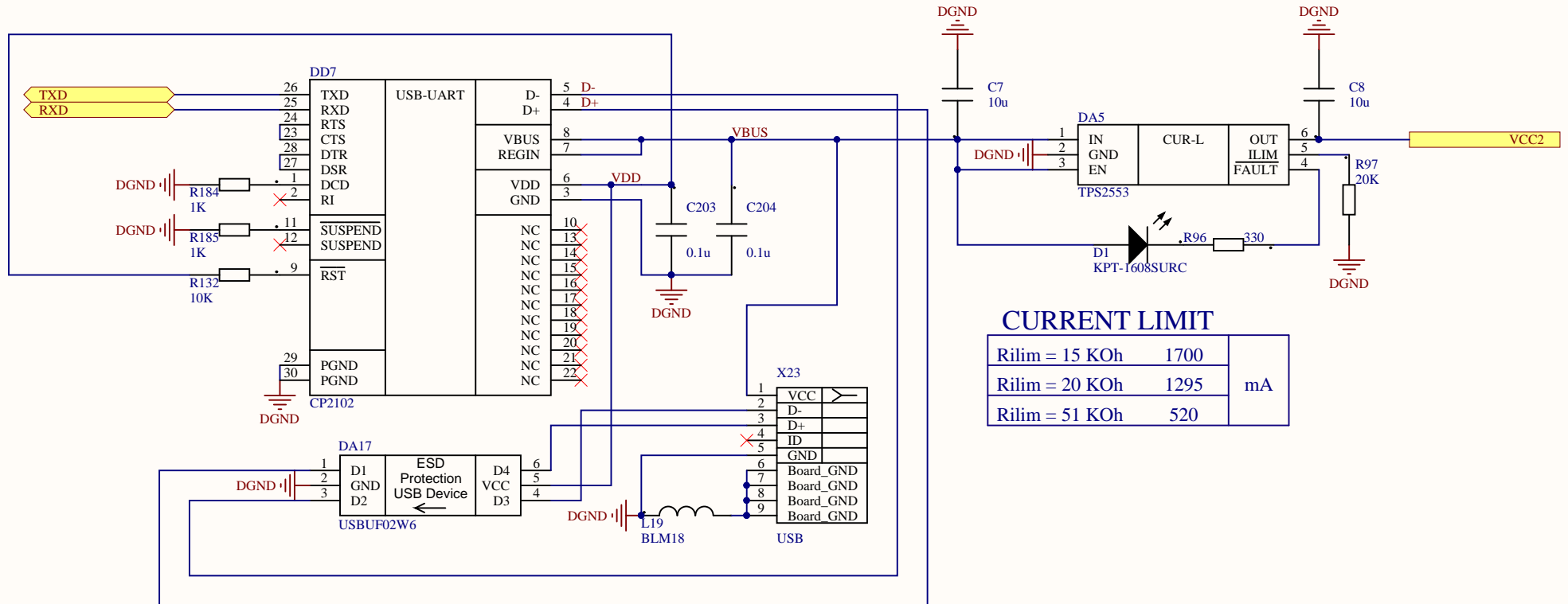
AM1808_EEPROM



AM1808_SDCard



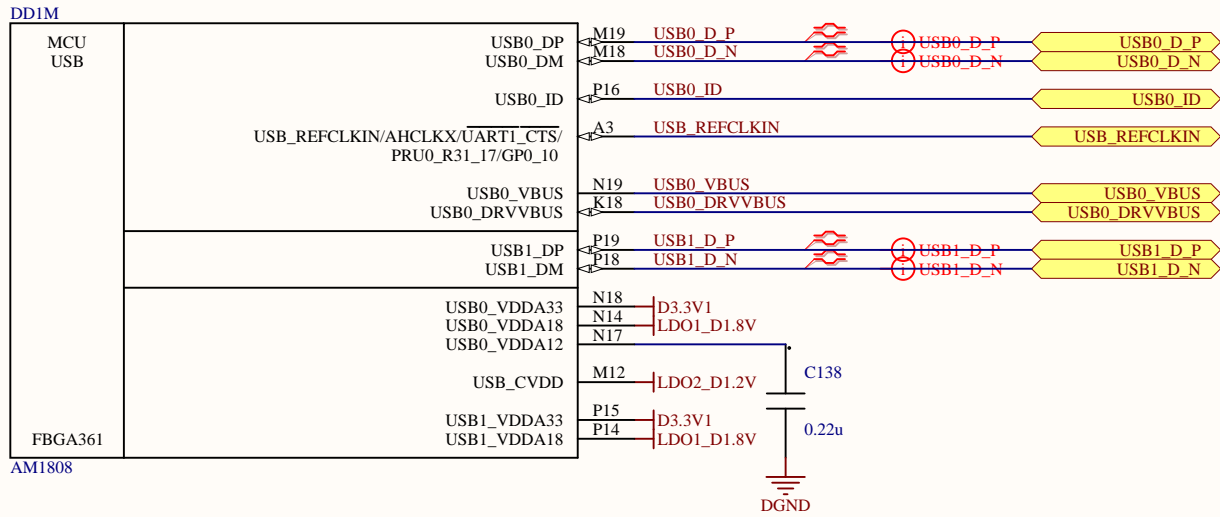
AM1808_Ethernet



CURRENT LIMIT

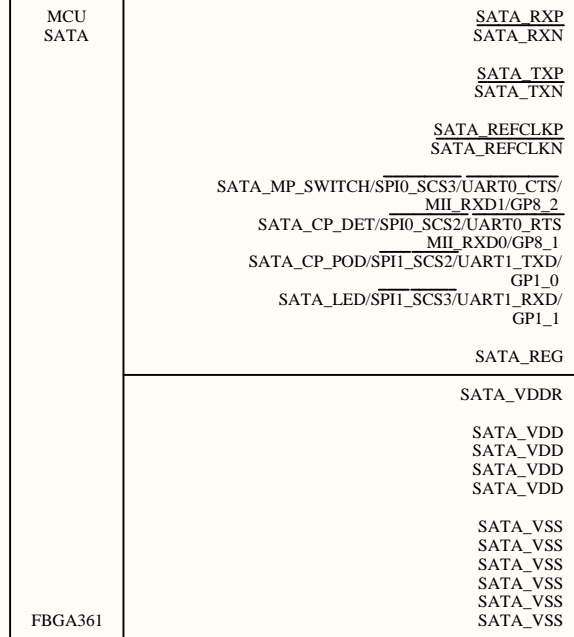
Rilim = 15 KOh	1700	mA
Rilim = 20 KOh	1295	
Rilim = 51 KOh	520	

AM1808_UartDebugPower

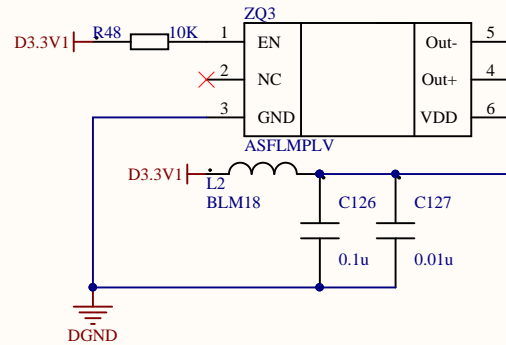
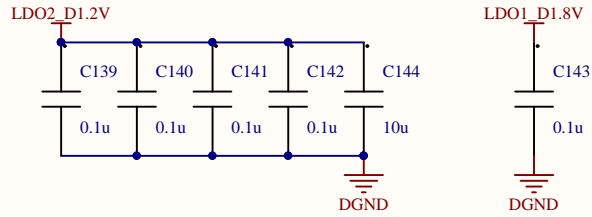
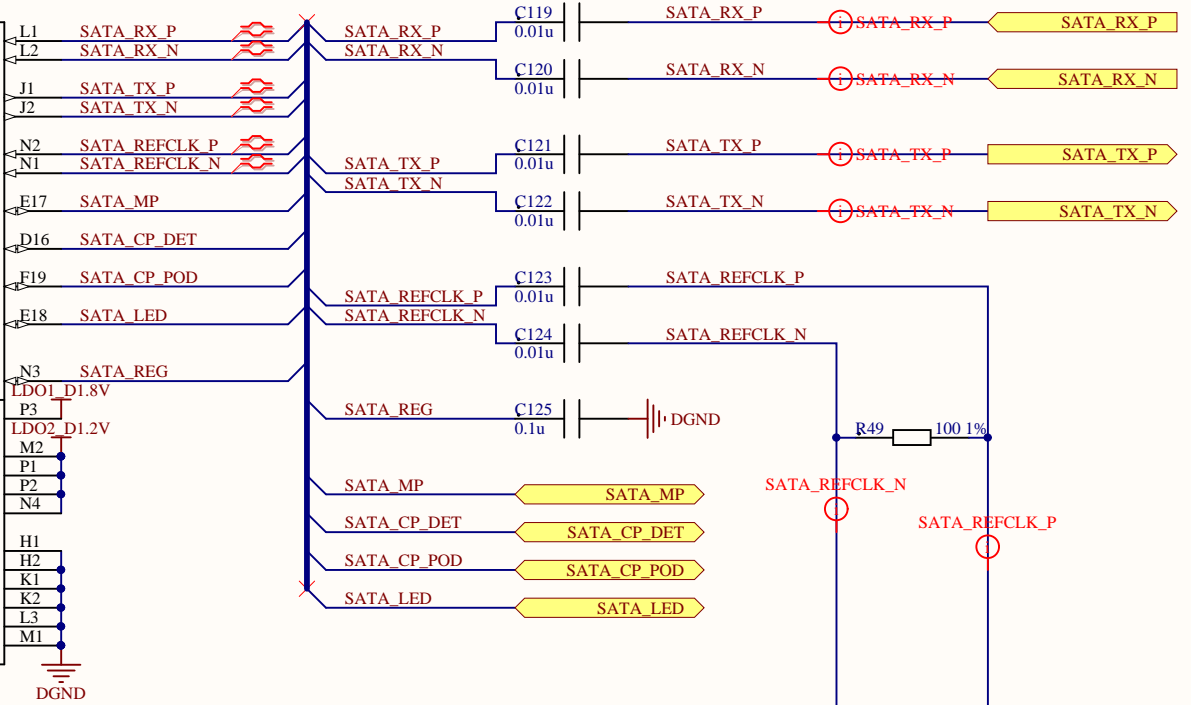


AM1808_USB

DDIL



FBGA361
AM1808



AM1808_SATA

Table Boot Mode

Mode	Uart0	Uart1	Uart2	SPI0 Flash	SPI1 Flash	Nand8	Nand16	MMC/SD0	ED
Boot0	0	1	0	0	0	0	0	0	0
Boot1	1	1	0	1	0	1	0	0	1
Boot2	1	1	1	0	1	1	0	1	1
Boot3	0	0	0	1	1	1	0	1	1
Boot4	1	1	1	0	0	0	1	1	1
Boot5	X	X	X	0	0	X	X	X	0
Boot6	X	X	X	0	0	X	X	0	0
Boot7	X	X	X	0	0	0	0	0	0

