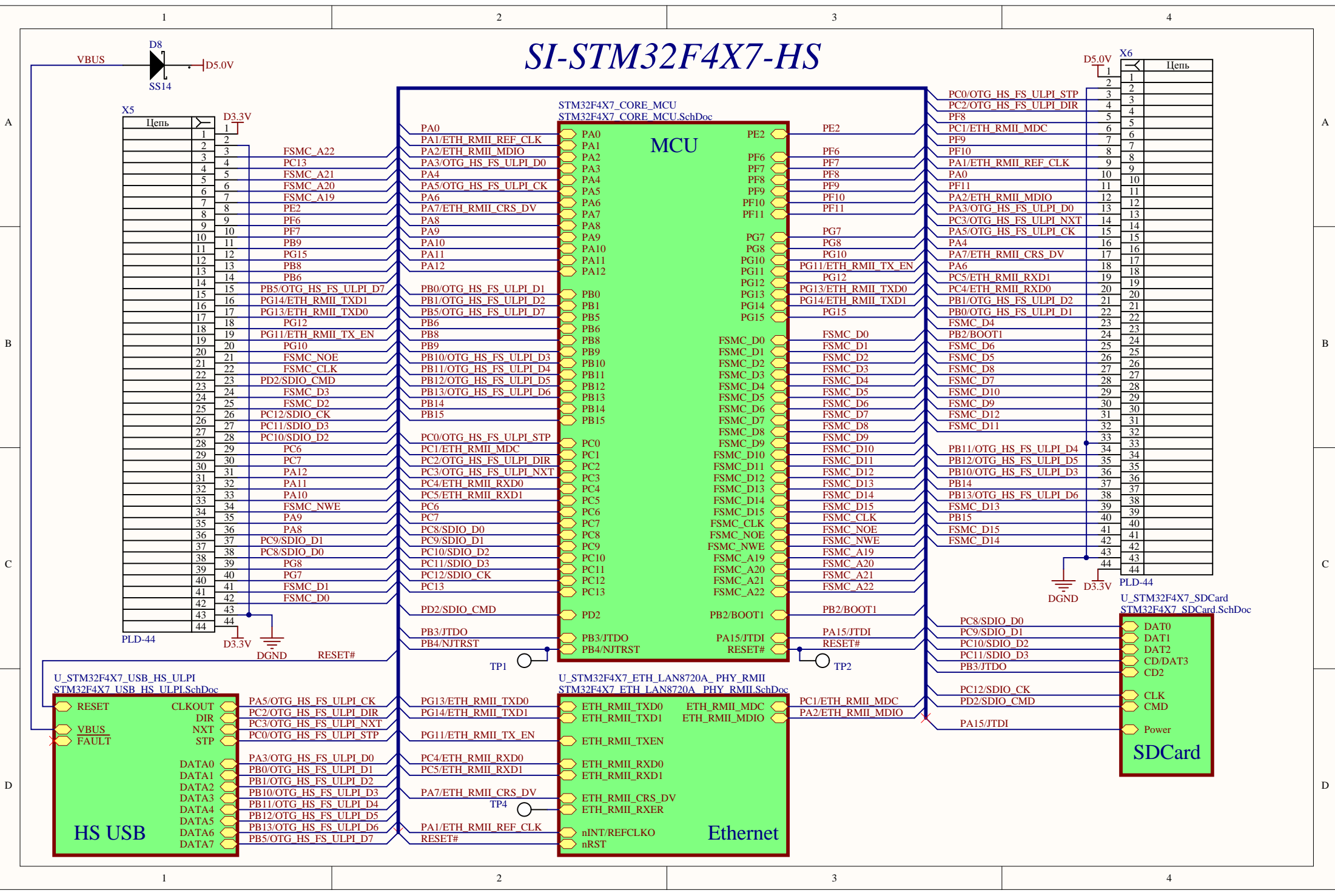


SI-STM32F4X7-HS



1

2

3

4

A

A

B

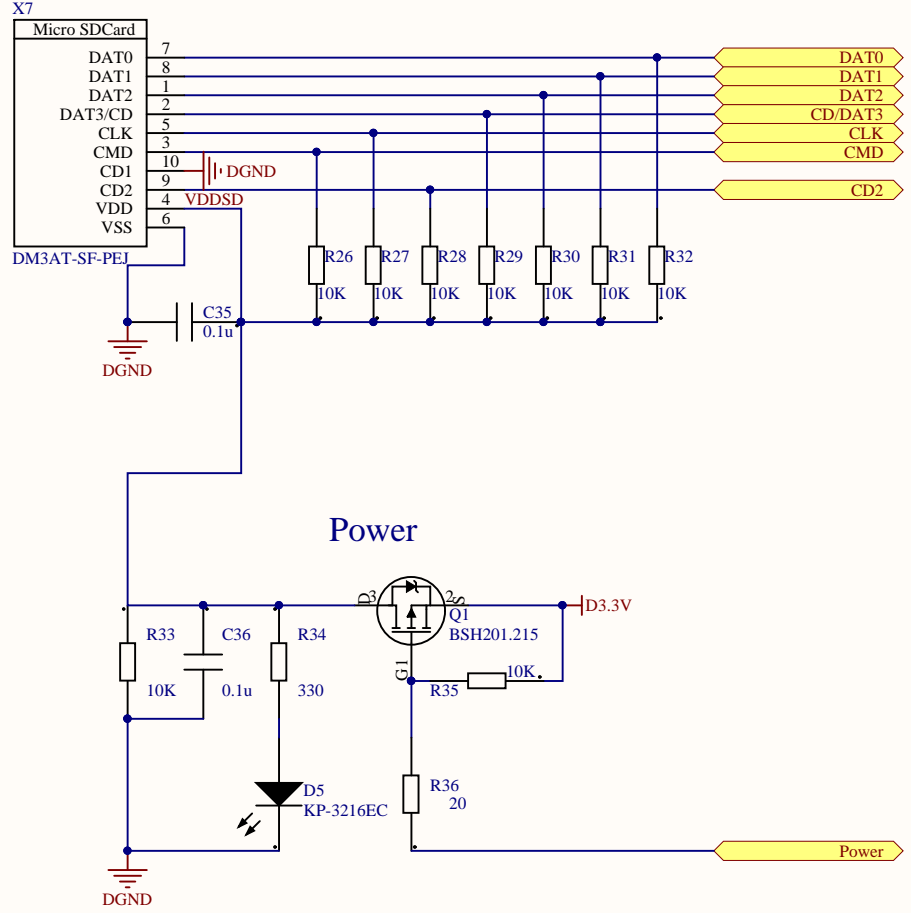
B

C

C

D

D



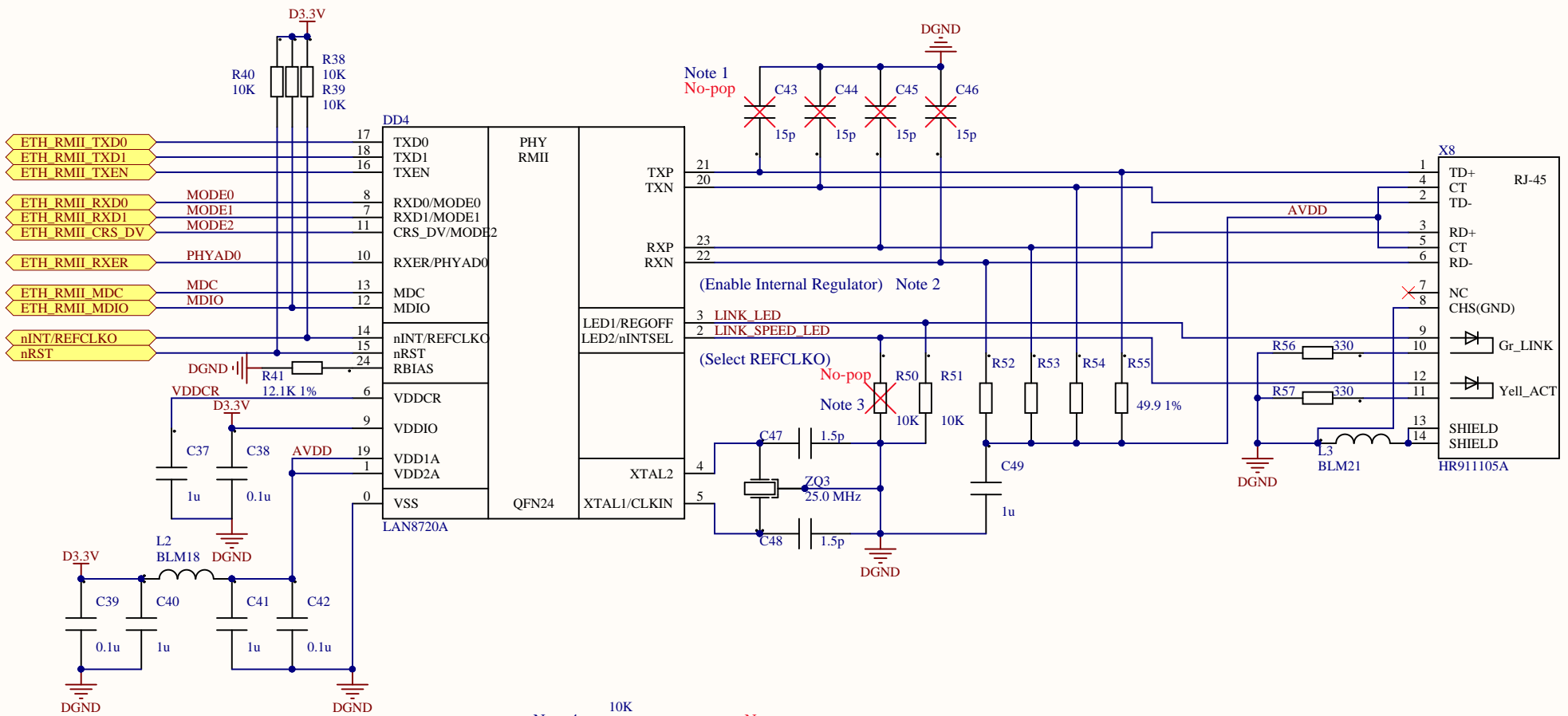
SDCard

1

2

3

4



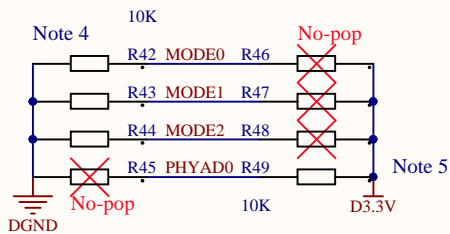
Note 1 (Used to reduce the electromagnetic radiation)

Note 2 (When REGOFF) is floating or pulled low, the internal regulator is enable (default))

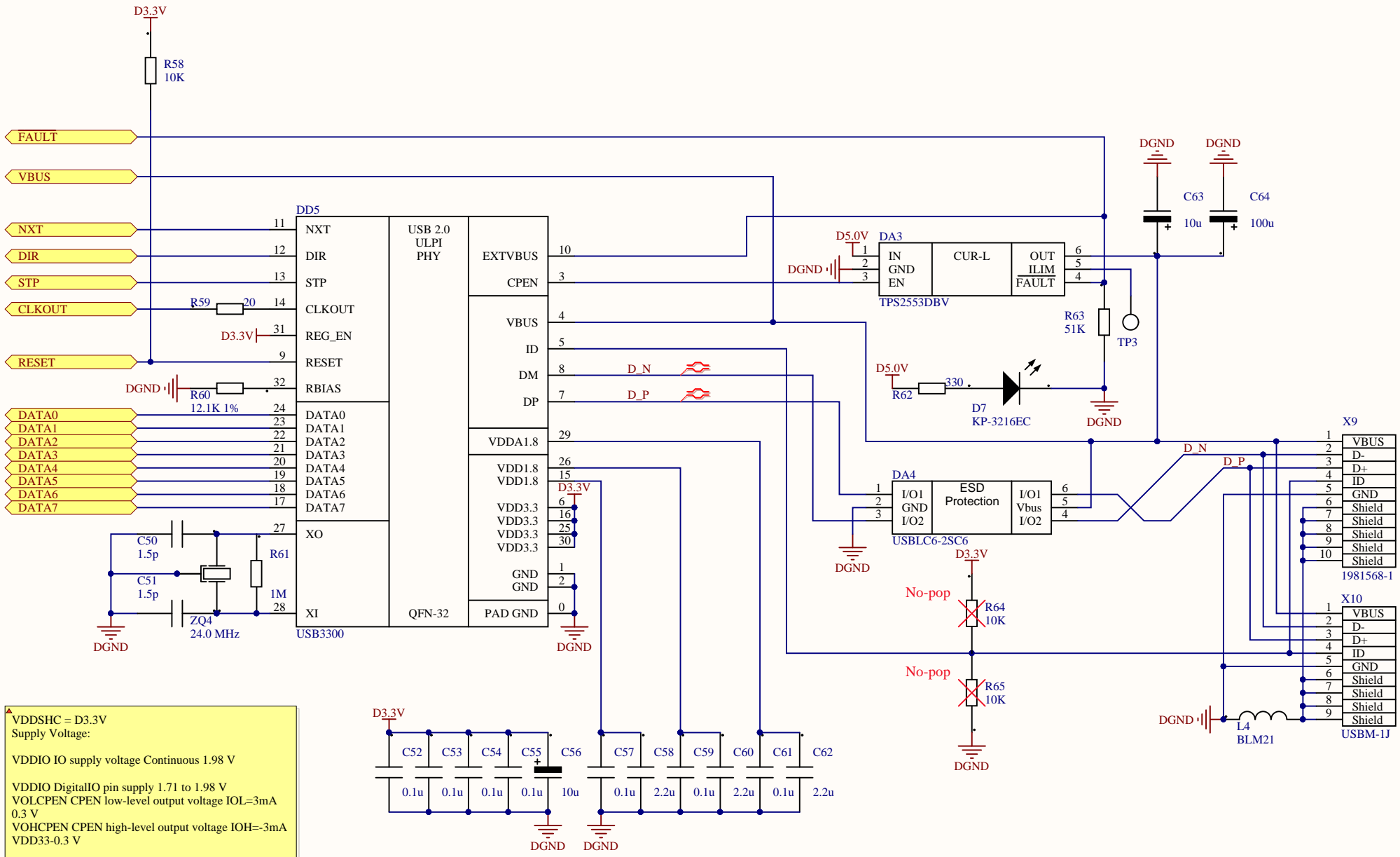
Note 3 (When nINTSEL is floated or pulled to VDD2A, nINT is selected for operation on the nINT/REFCLKO pin (default))
 When nINTSEL is lullled low to VSS, REFCLKO is selected for operation on the nINT/REFCLKO pin)

Note 4 (See the document LAN8720A on page 32, table 3.4 10Base-T Half Duplex. Auto-negotiation disabled)

Note 5 (PHYAD = 1, see application)



ETH_LAN8720A_PHY_RMII



▲ VDDSHC = D3.3V
 Supply Voltage:
 VDDIO IO supply voltage Continuous 1.98 V
 VDDIO DigitalIO pin supply 1.71 to 1.98 V
 VOLCPEN CPEN low-level output voltage IOL=3mA 0.3 V
 VOHCPEN CPEN high-level output voltage IOH=-3mA VDD33-0.3 V
 VOL Max 0.45 V

USB_HS_ULPI