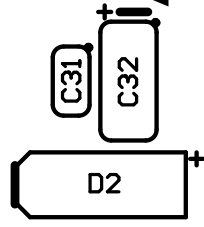


Simplematica Ltd. © 2012

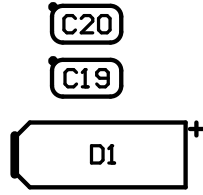
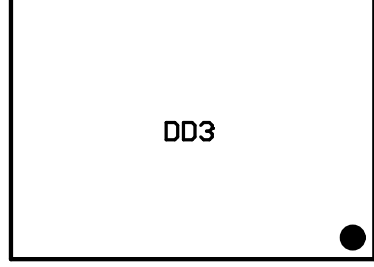
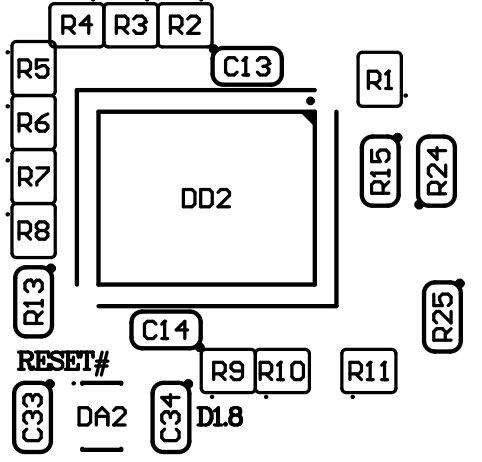
↓ 2 Pin



STMicroelectronics

R34

C16



R14 C15 R16