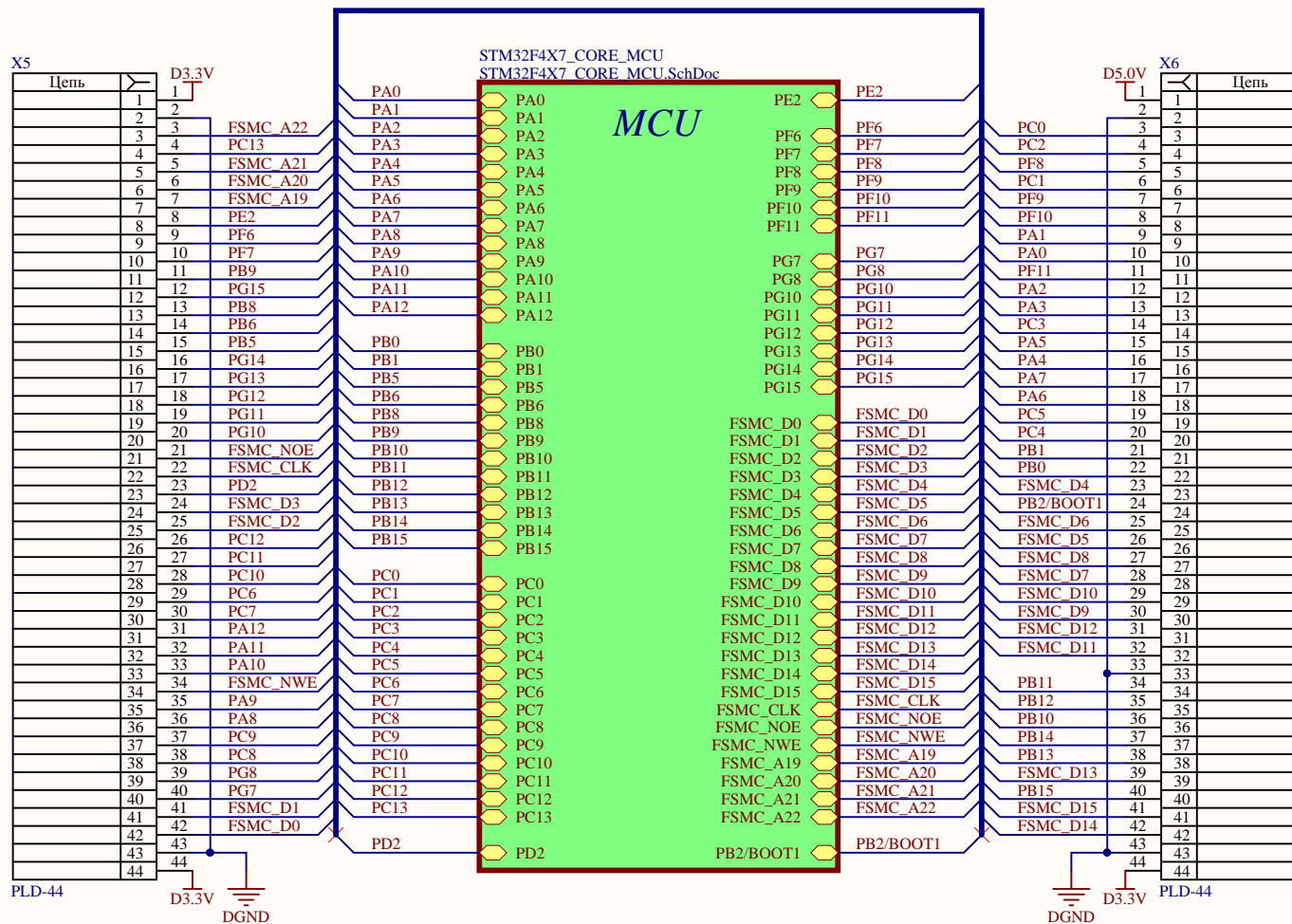
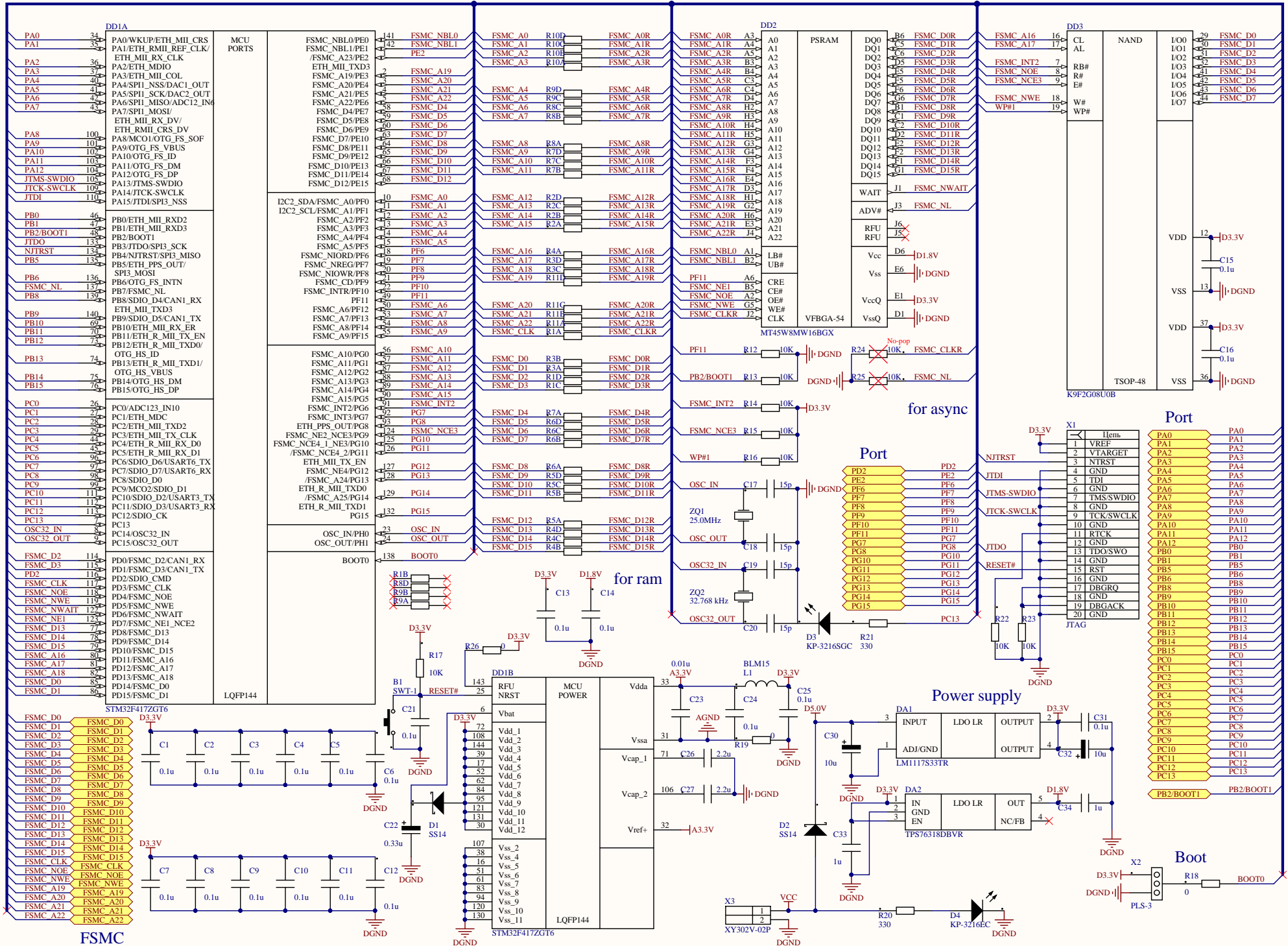


SI-STM32F4X7-Jtag





STM32F4X7_CORE_MCU

Port	Item#	Pin	Pin
PA0	1	VREF	PA0
PA1	2	VTARGET	PA1
PA2	3	NTRST	PA2
PA3	4	GND	PA3
PA4	5	GND	PA4
PA5	6	GND	PA5
PA6	7	TMS/SWDIO	PA6
PA7	8	GND	PA7
PA8	9	TCK/SWCLK	PA8
PA9	10	GND	PA9
PA10	11	RTCK	PA10
PA11	12	GND	PA11
PA12	13	TDO/SWO	PA12
PB0	14	GND	PB0
PB1	15	RST	PB1
PB2	16	GND	PB2
PB3	17	DBGRO	PB3
PB4	18	GND	PB4
PB5	19	DBGACK	PB5
PB6	20	GND	PB6
PB7	21	GND	PB7
PB8	22	GND	PB8
PB9	23	GND	PB9
PB10	24	GND	PB10
PB11	25	GND	PB11
PB12	26	GND	PB12
PB13	27	GND	PB13
PB14	28	GND	PB14
PB15	29	GND	PB15
PC0	30	GND	PC0
PC1	31	GND	PC1
PC2	32	GND	PC2
PC3	33	GND	PC3
PC4	34	GND	PC4
PC5	35	GND	PC5
PC6	36	GND	PC6
PC7	37	GND	PC7
PC8	38	GND	PC8
PC9	39	GND	PC9
PC10	40	GND	PC10
PC11	41	GND	PC11
PC12	42	GND	PC12
PC13	43	GND	PC13
PB2/BOOT1	44	GND	PB2/BOOT1