

ATTENTION
 STATIC SENSITIVE DEVICES
 HANDLE ONLY AT
 STATIC WORK STATIONS



Simplementica Ltd. © 2012

D3.3V DGND

D3.3V DGND

DGND D3.3V

DGND 5.0V

JTAG_arm20

C27

C5

C6

C7

C4

C26

C3

C8

X5

DD1

X6

C2

C9

R18

R12

C1

C10

R26

ZQ2

C12

C17

C18

C11

C23

C24

L1

R19

BOOT

X2

ZQ1

C25

C21

C22

B1

R17

D3.3V

RESET

DA1

R21

PC13

D3

D4

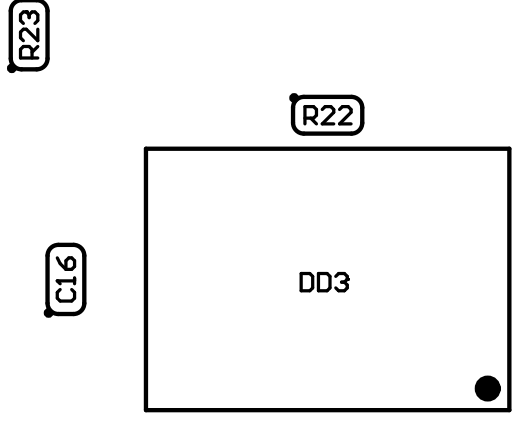
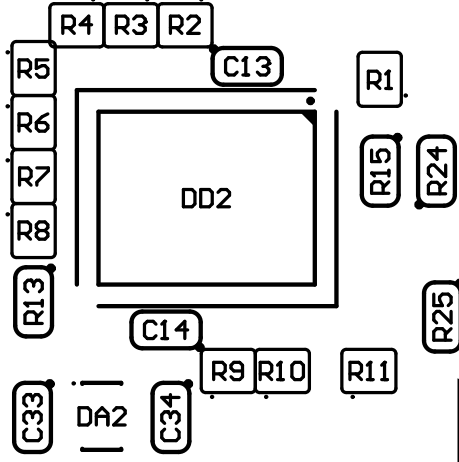
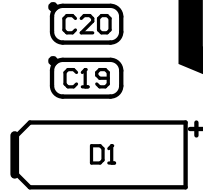
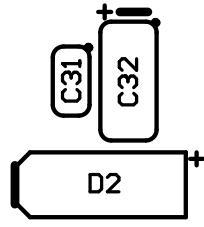
R20

X3

DA1

C30

↓ 2 Pin



STMicroelectronics