

SI-AM3359-SOM-QTH_v123

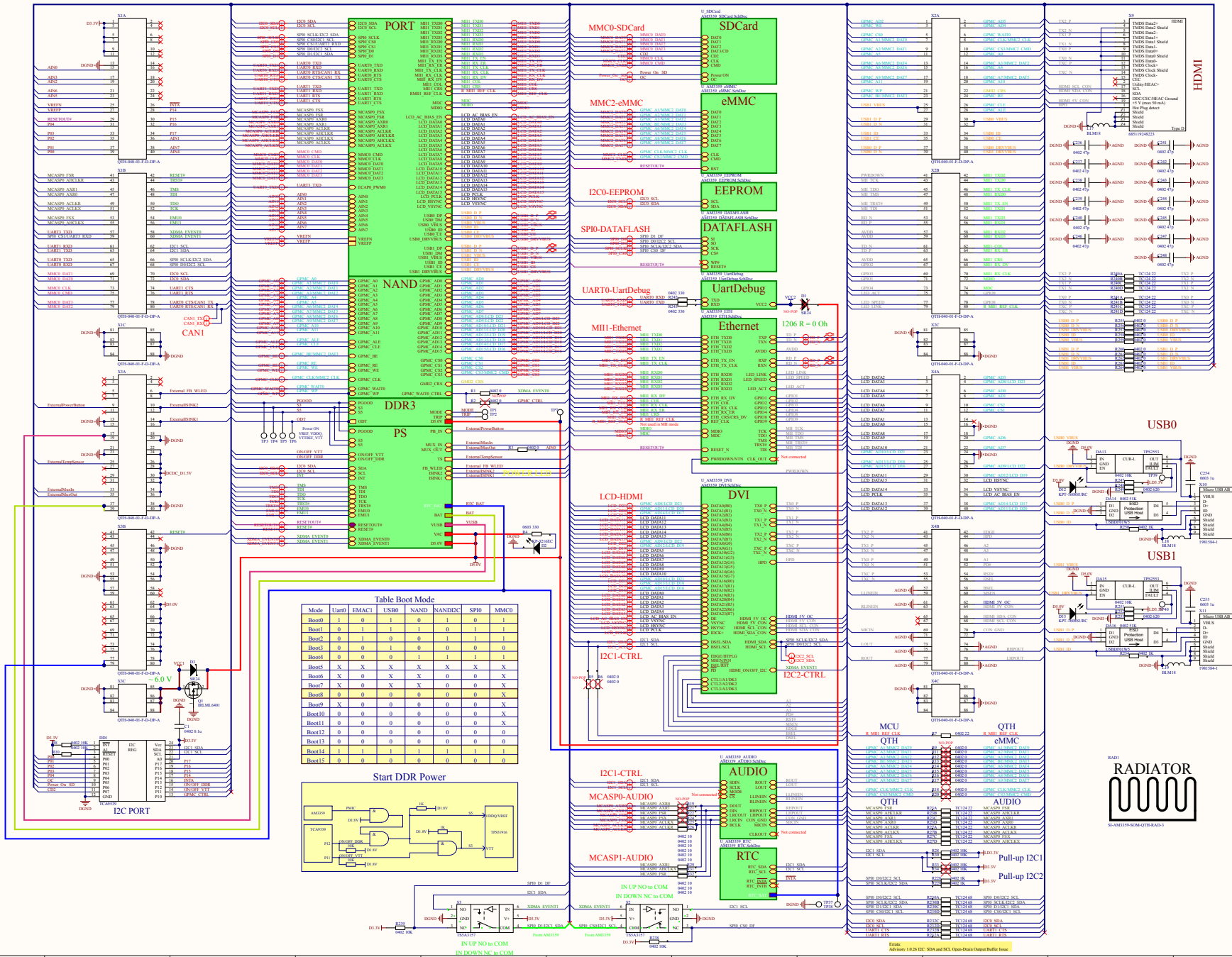
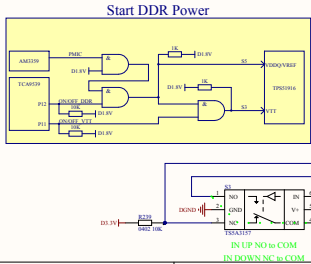


Table Boot Mode

Mode	Uboot	EMAC1	USB0	NAND	NAND/CC	SPI0	MMC0
Boot0	0	1	0	1	0	1	0
Boot1	0	1	1	0	1	0	1
Boot2	0	1	0	0	1	1	1
Boot3	0	0	1	0	0	0	0
Boot4	0	0	0	1	1	1	1
Boot5	X	X	X	X	X	X	X
Boot7	X	0	X	X	0	0	X
Boot8	0	0	0	0	0	0	X
Boot9	X	0	0	0	0	0	X
Boot10	0	0	0	0	0	0	X
Boot11	0	0	0	0	0	0	X
Boot12	0	0	0	0	0	0	0
Boot13	0	0	0	0	0	0	0
Boot14	1	1	1	1	1	1	1
Boot15	0	0	0	0	0	0	0



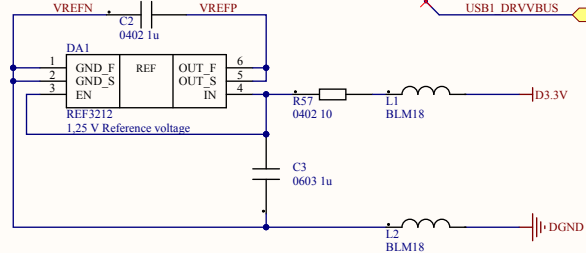
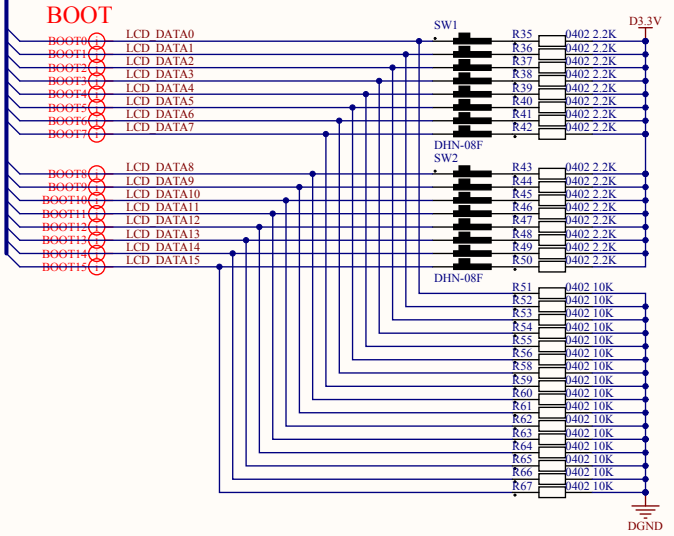
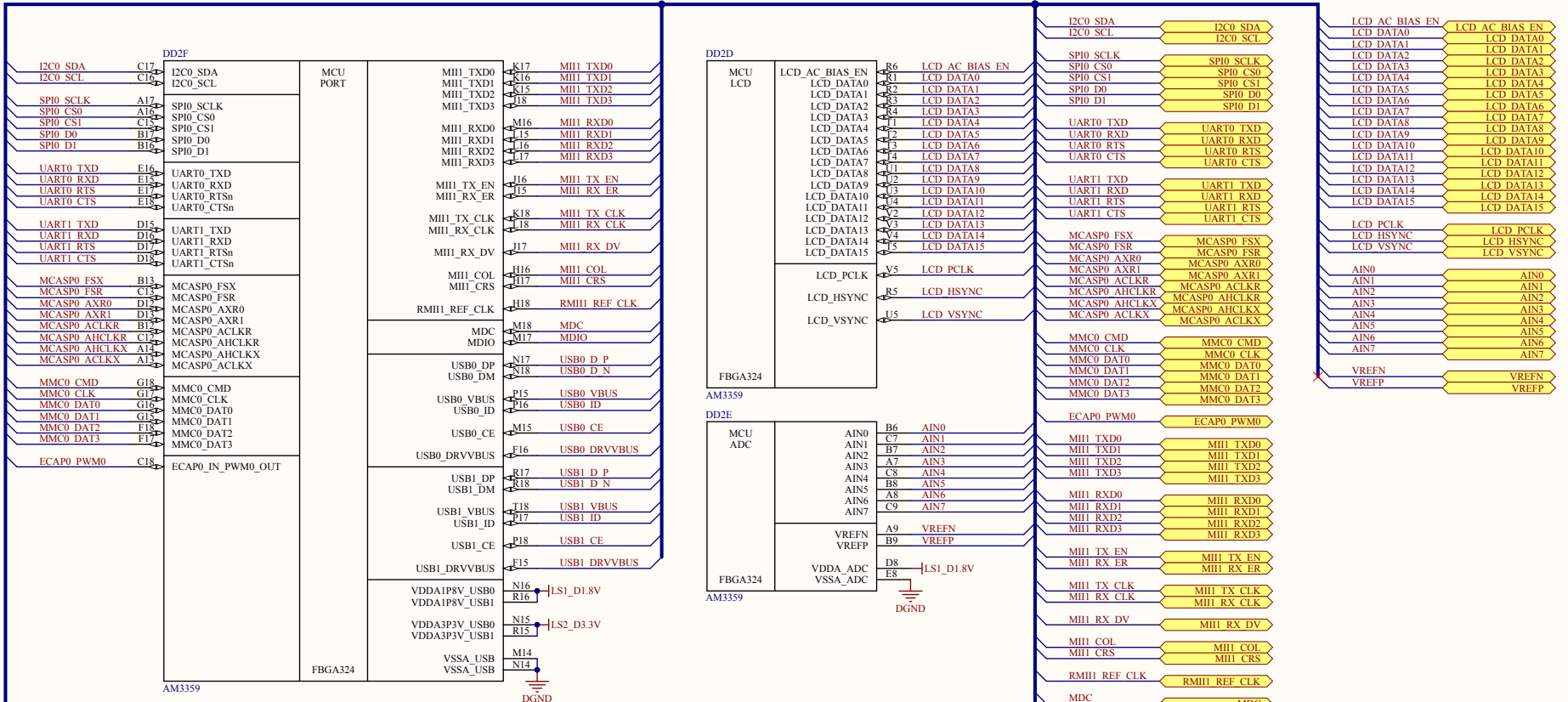
Notes:
 1. All traces to I2C, I2C2, SDA and SCL. Open-Drain Output Buffer Mode.

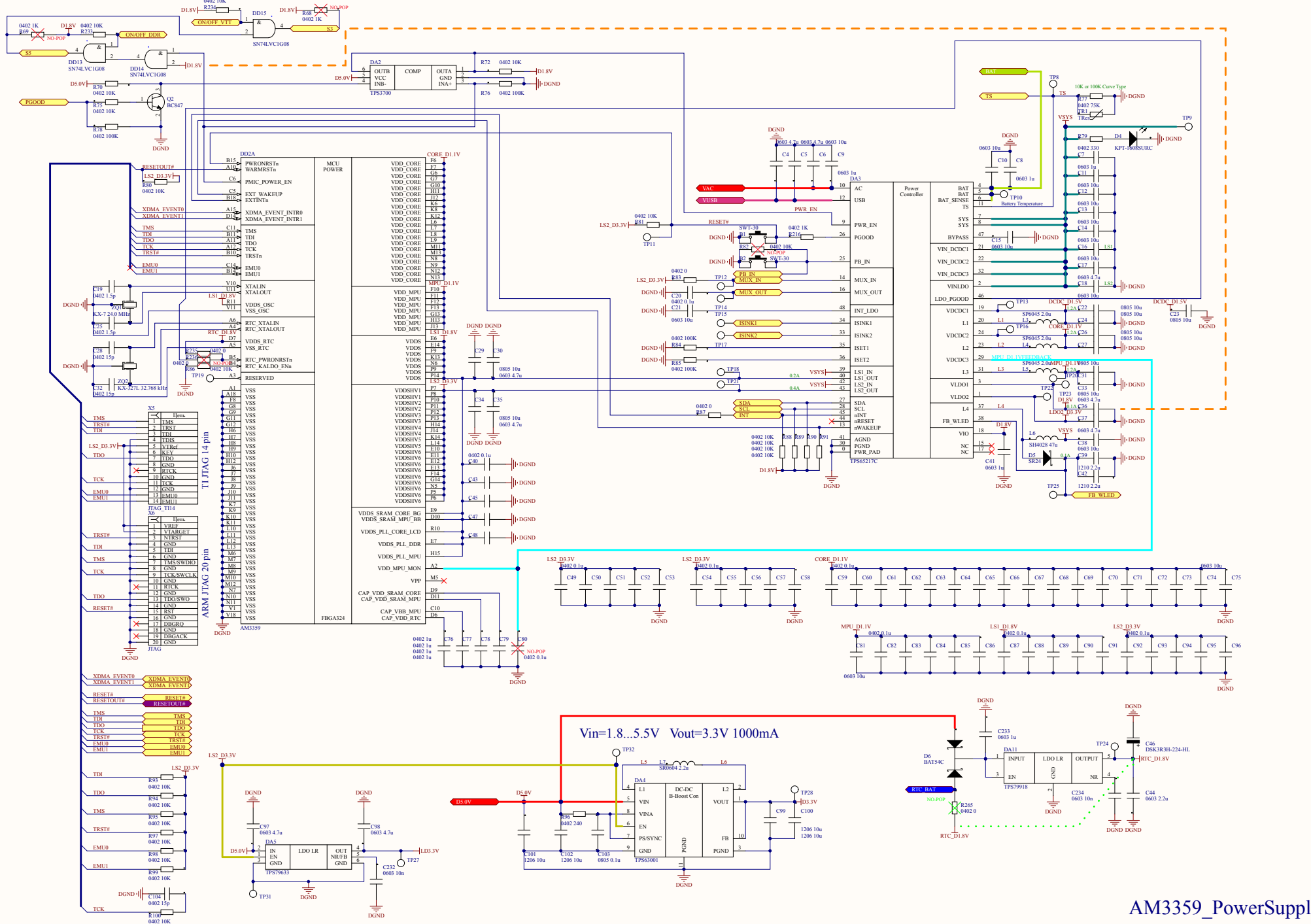
A

B

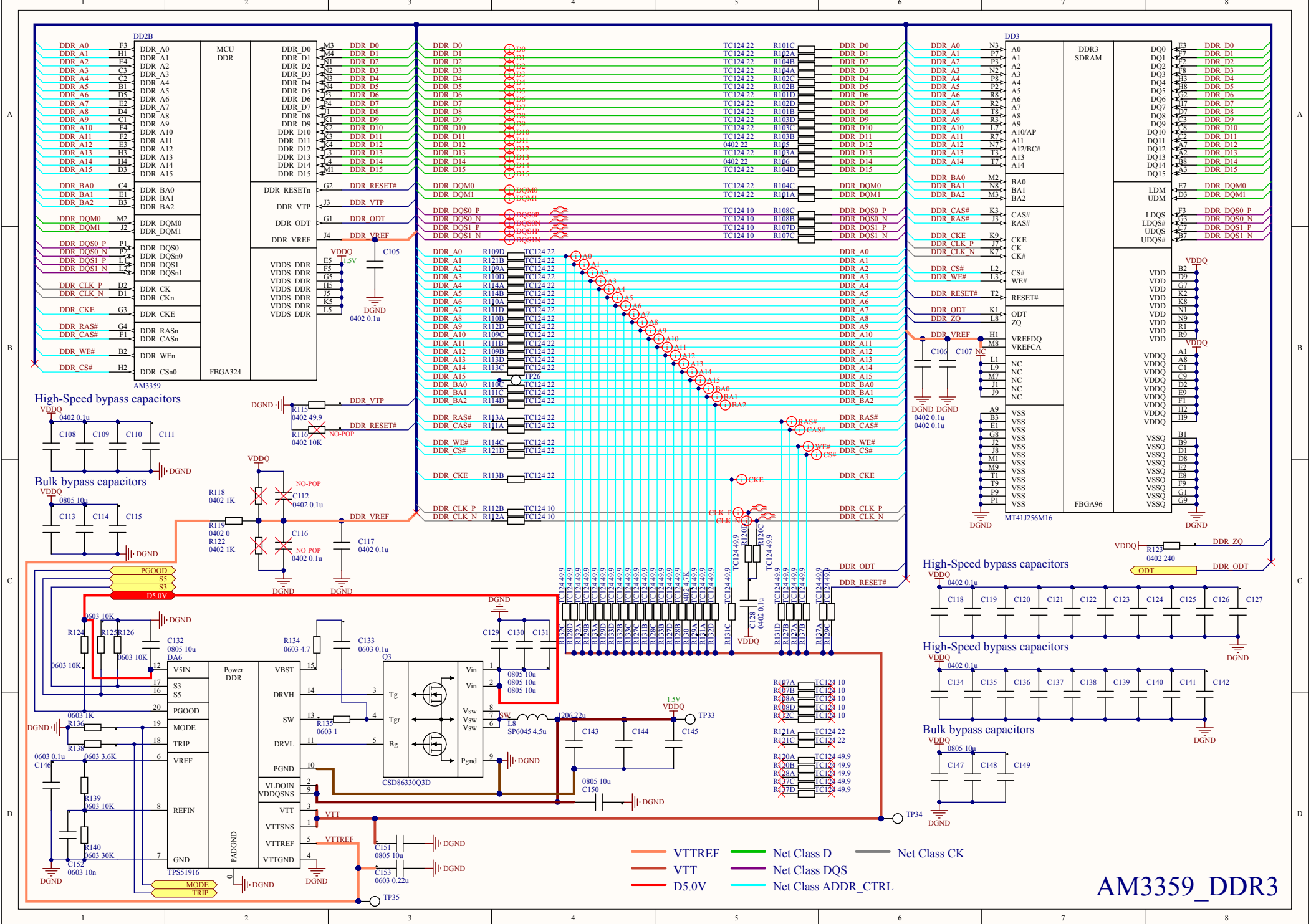
C

D

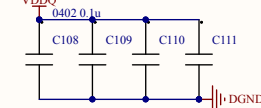




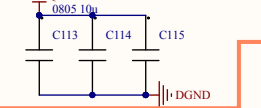
Vin=1.8...5.5V Vout=3.3V 1000mA



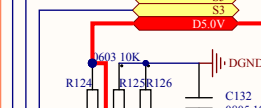
High-Speed bypass capacitors



Bulk bypass capacitors



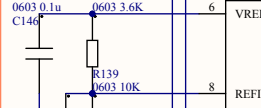
High-Speed bypass capacitors



High-Speed bypass capacitors

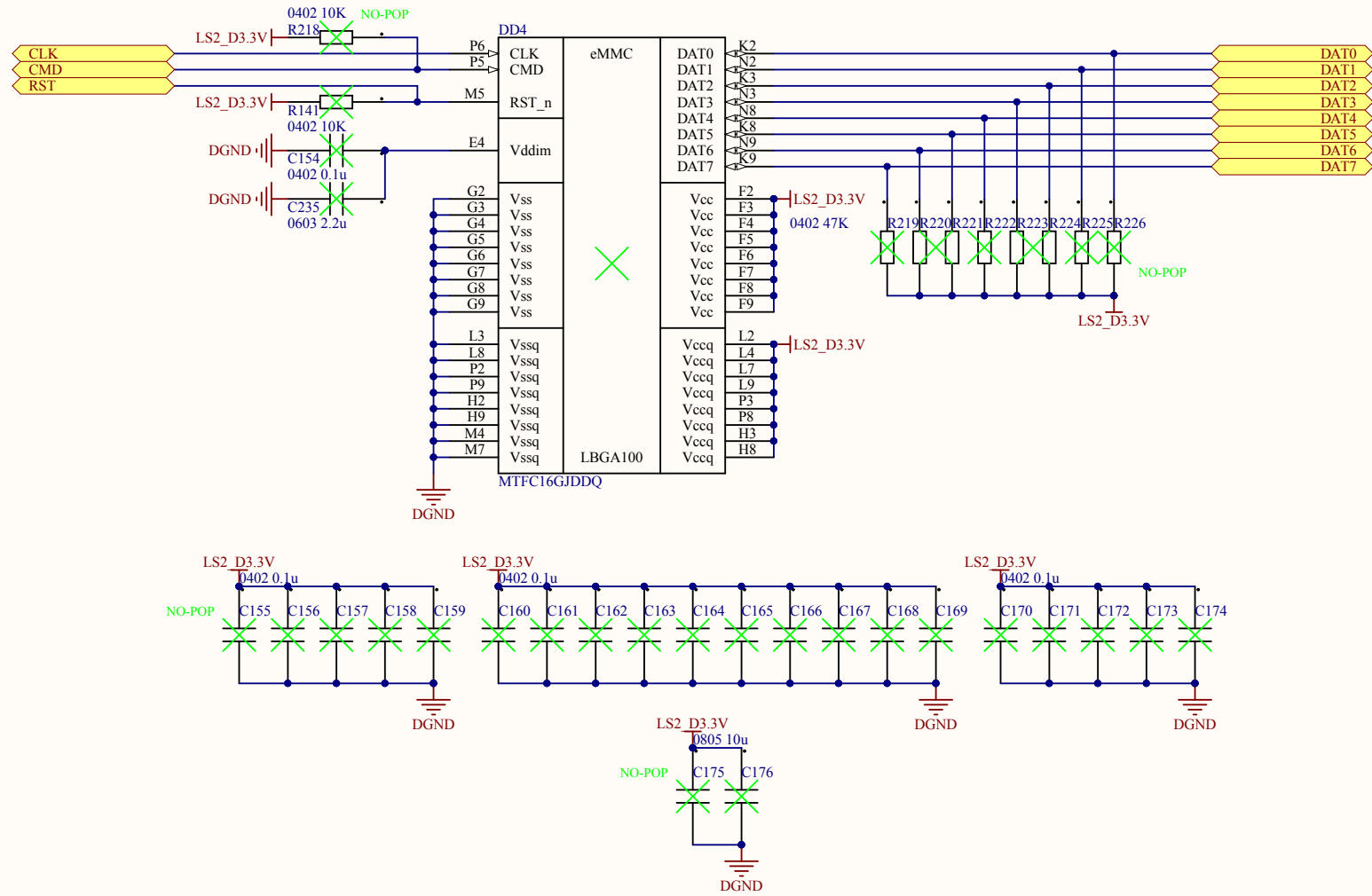


Bulk bypass capacitors

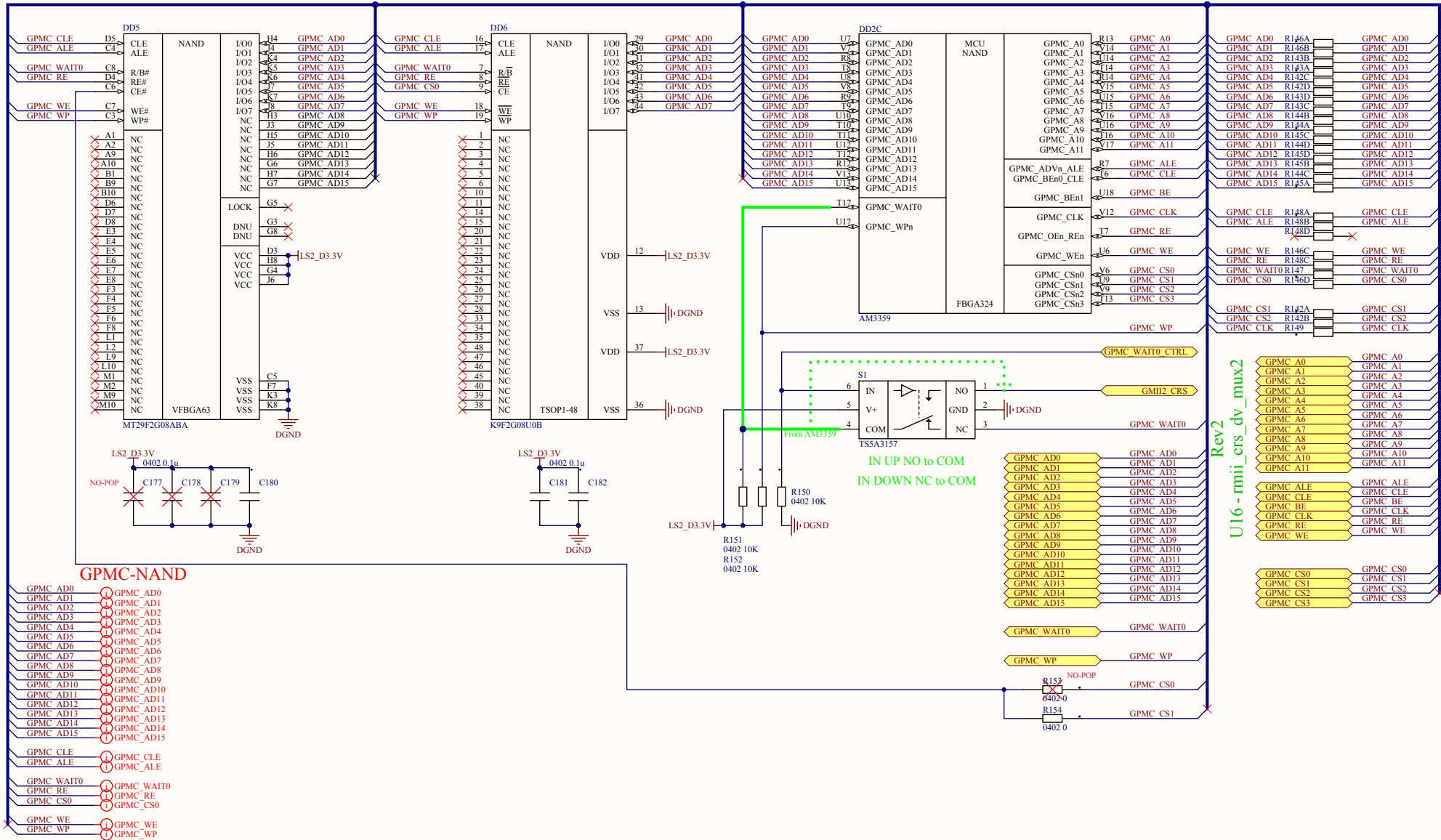


- VTTREF
- VTT
- D5.0V
- Net Class D
- Net Class DQS
- Net Class ADDR_CTRL
- Net Class CK

AM3359_DDR3



AM3359_eMMC



1

2

3

4

A

A

B

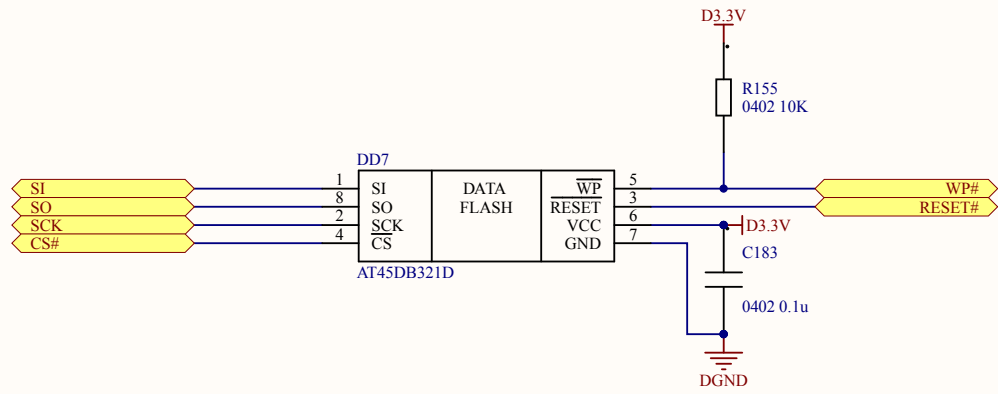
B

C

C

D

D



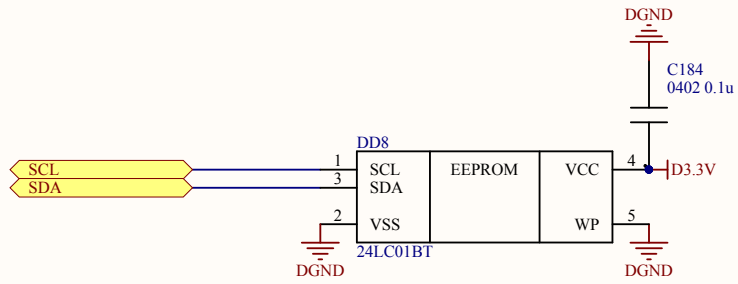
AM3359_DATAFLASH

1

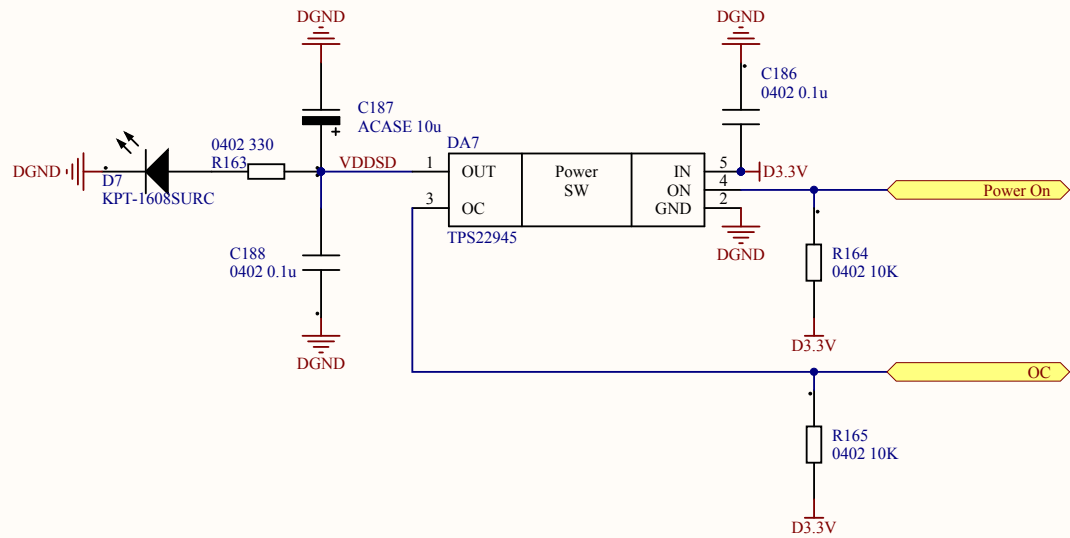
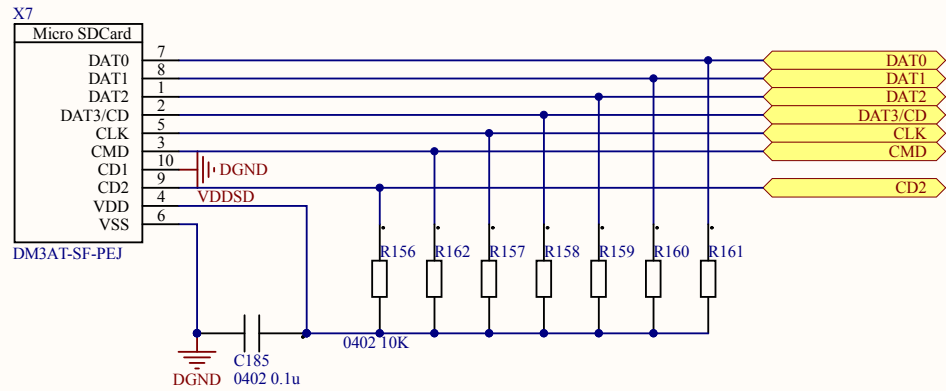
2

3

4



AM3359_EEPROM



AM3359_SDCard

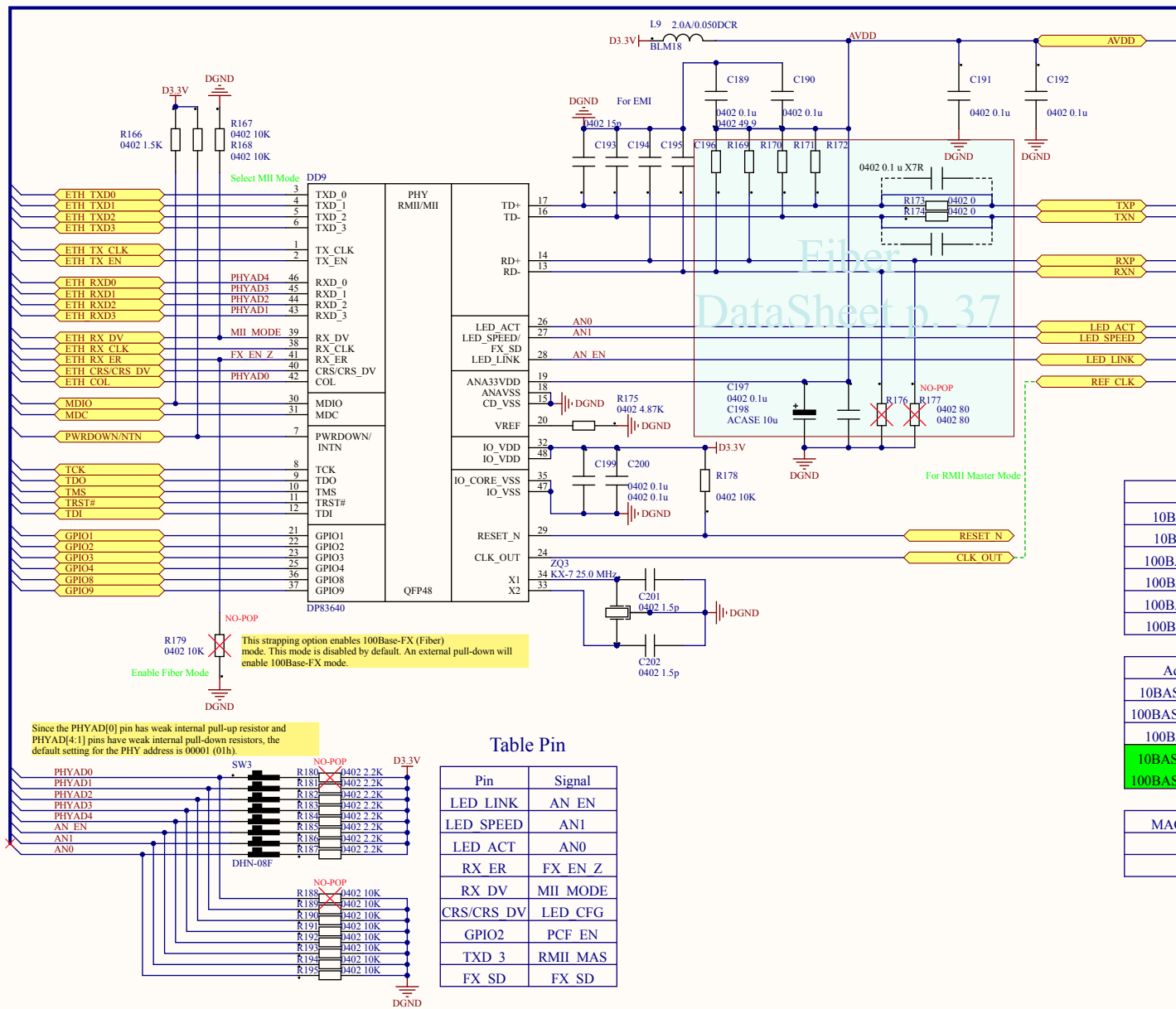


Table Mode

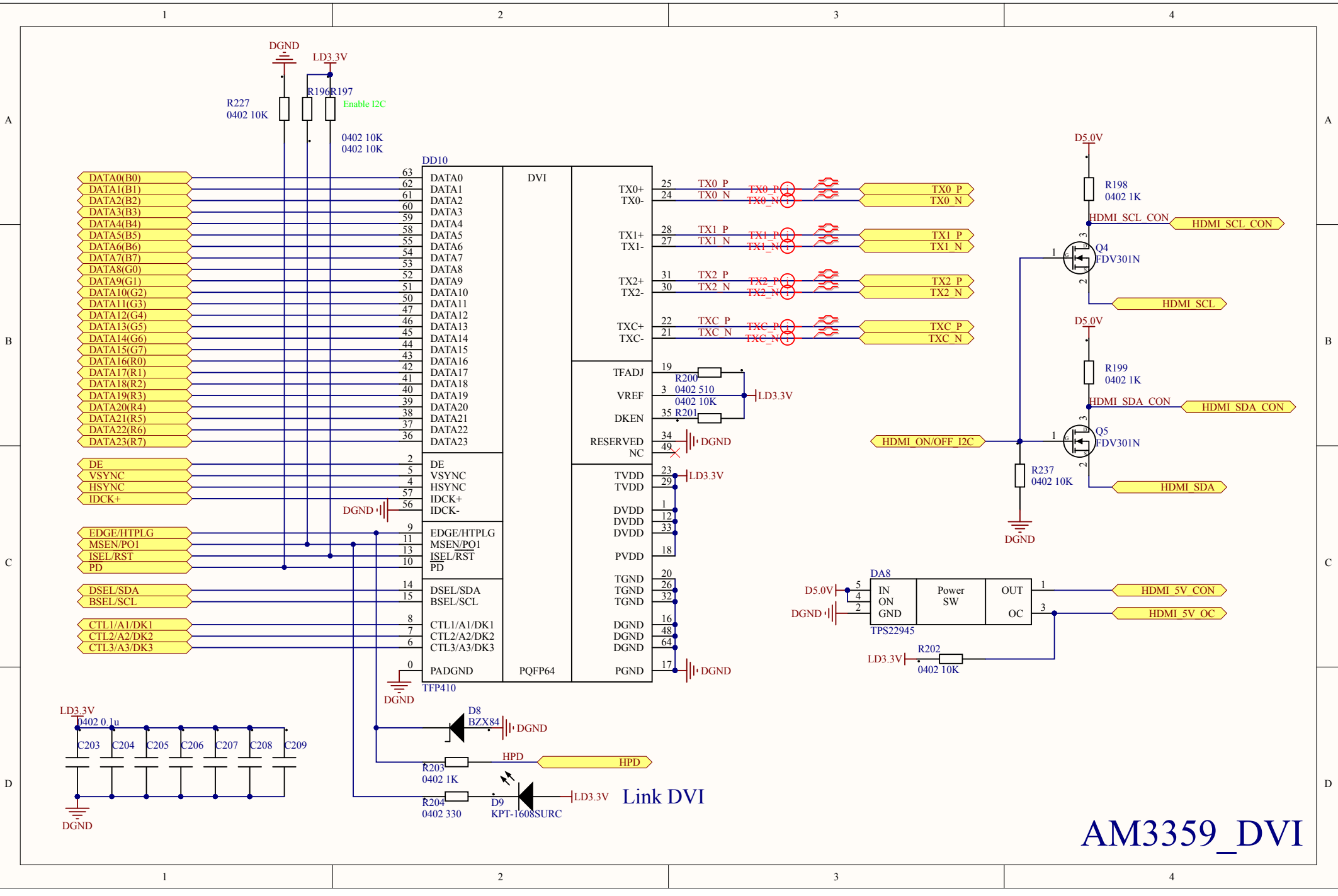
Forced Mode	FX EN Z	AN EN	ANI	AN0
10BASE-T, Half-Duplex	1	0	0	0
10BASE-T, Full-Duplex	1	0	0	1
100BASE-TX, Half-Duplex	1	0	1	0
100BASE-TX, Full-Duplex	1	0	1	1
100BASE-FX, Half-Duplex	0	X	X	0
100BASE-FX, Full-Duplex	0	X	X	1

Advertised Mode	FX EN Z	AN EN	ANI	AN0
10BASE-T, Half/Full-Duplex	1	1	0	0
100BASE-TX, Half/Full-Duplex	1	1	0	1
100BASE-TX, Full-Duplex	1	1	1	0
10BASE-T, Half/Full-Duplex, 100BASE-TX, Half/Full-Duplex	1	1	1	1

MAC Interface Mode	MII MODE
RMII Mode	1
MII Mode	0

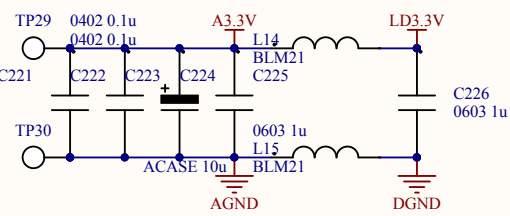
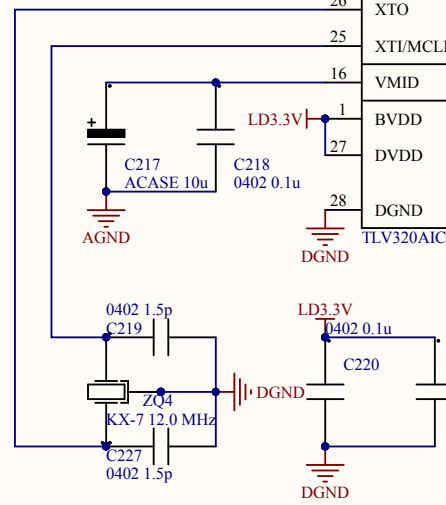
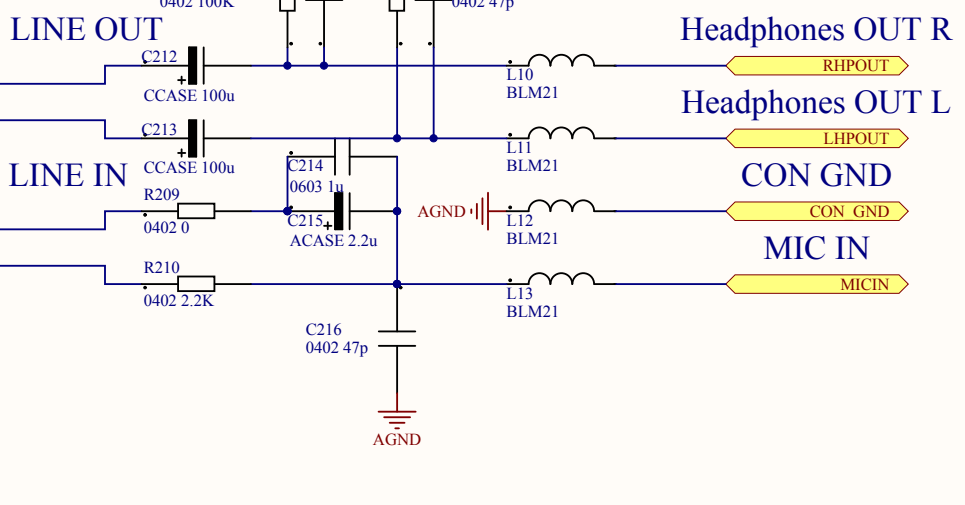
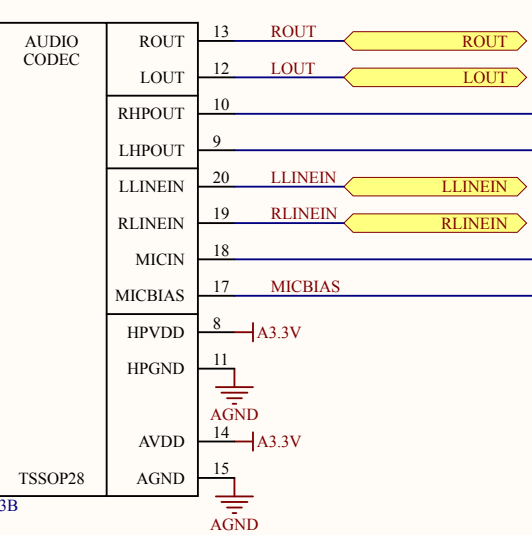
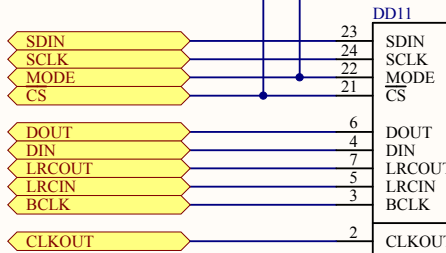
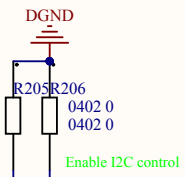
Table Pin

Pin	Signal
LED LINK	AN EN
LED SPEED	ANI
LED ACT	AN0
RX ER	FX EN Z
RX DV	MII MODE
CRS/CRS DV	LED CFG
GPIO2	PCF EN
TXD 3	RMII MAS
FX SD	FX SD



AM3359_DVI

CS# STATE (Default 0)	ADDRESS I2C
0	0011010
1	0011011



AM3359_AUDIO

1

2

3

4

A

A

B

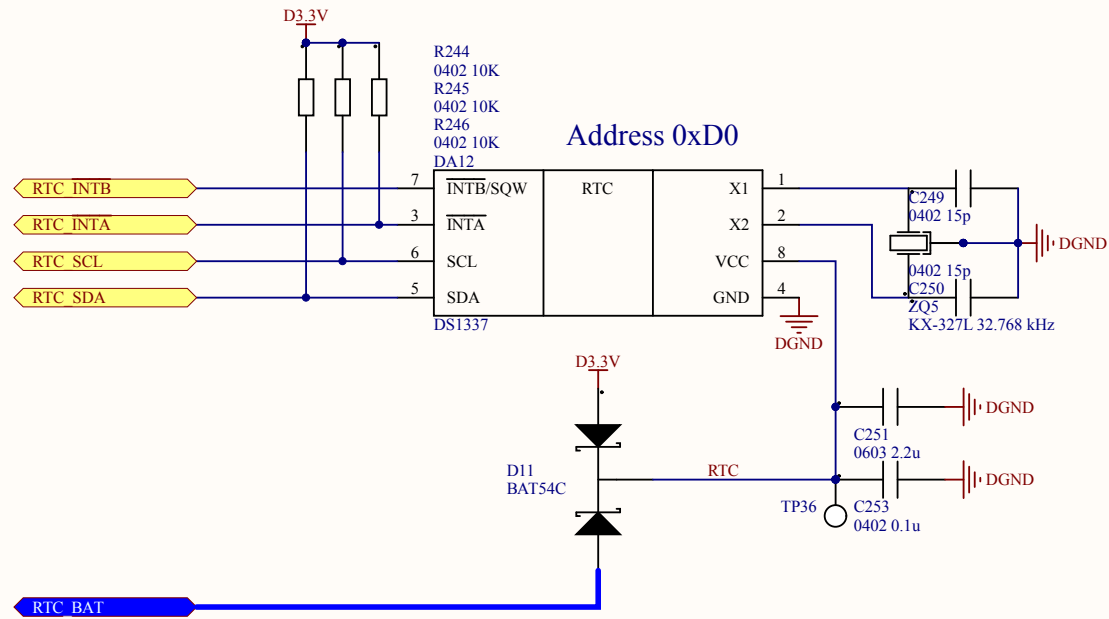
B

C

C

D

D



AM3359_RTC

1

2

3

4