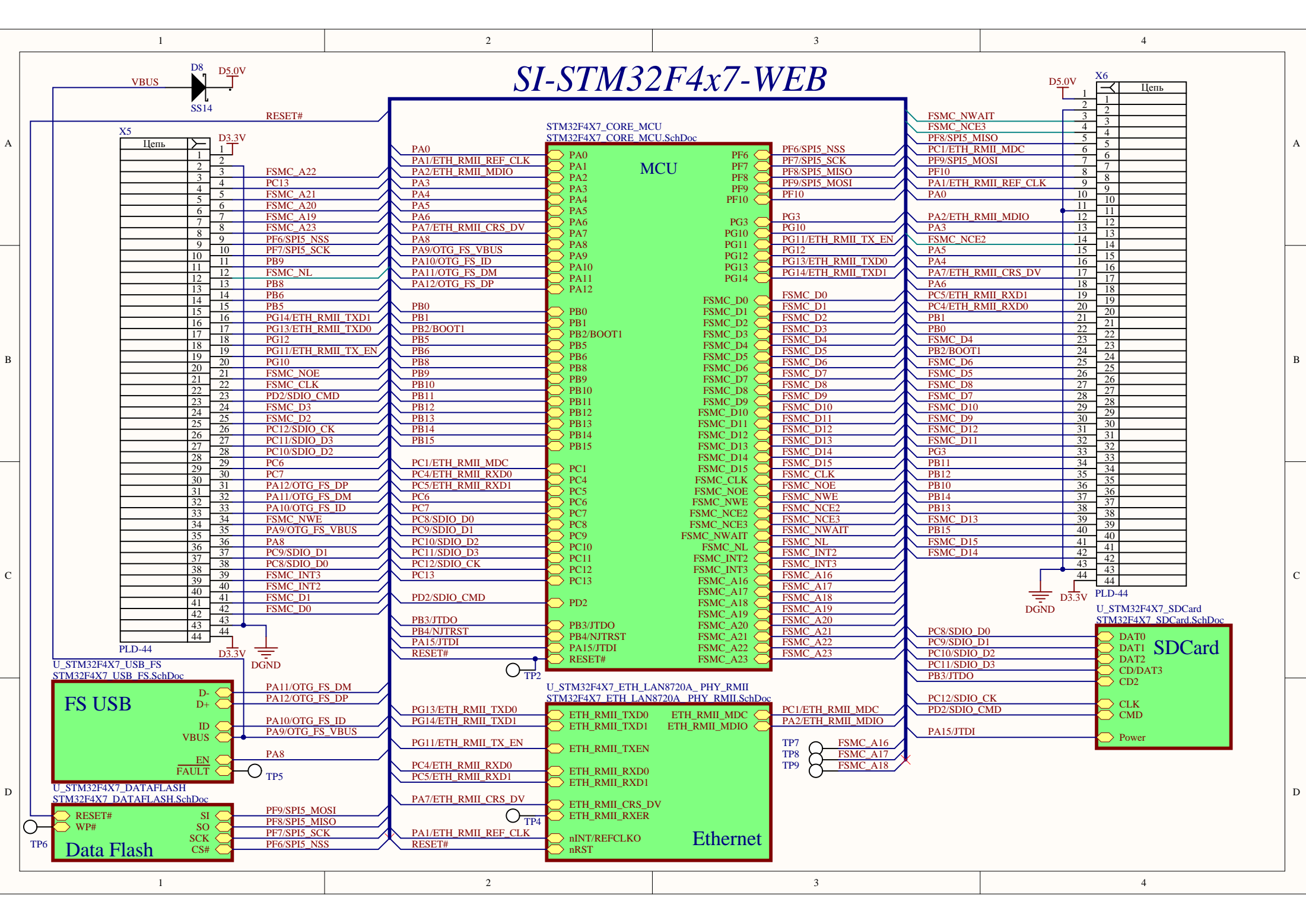
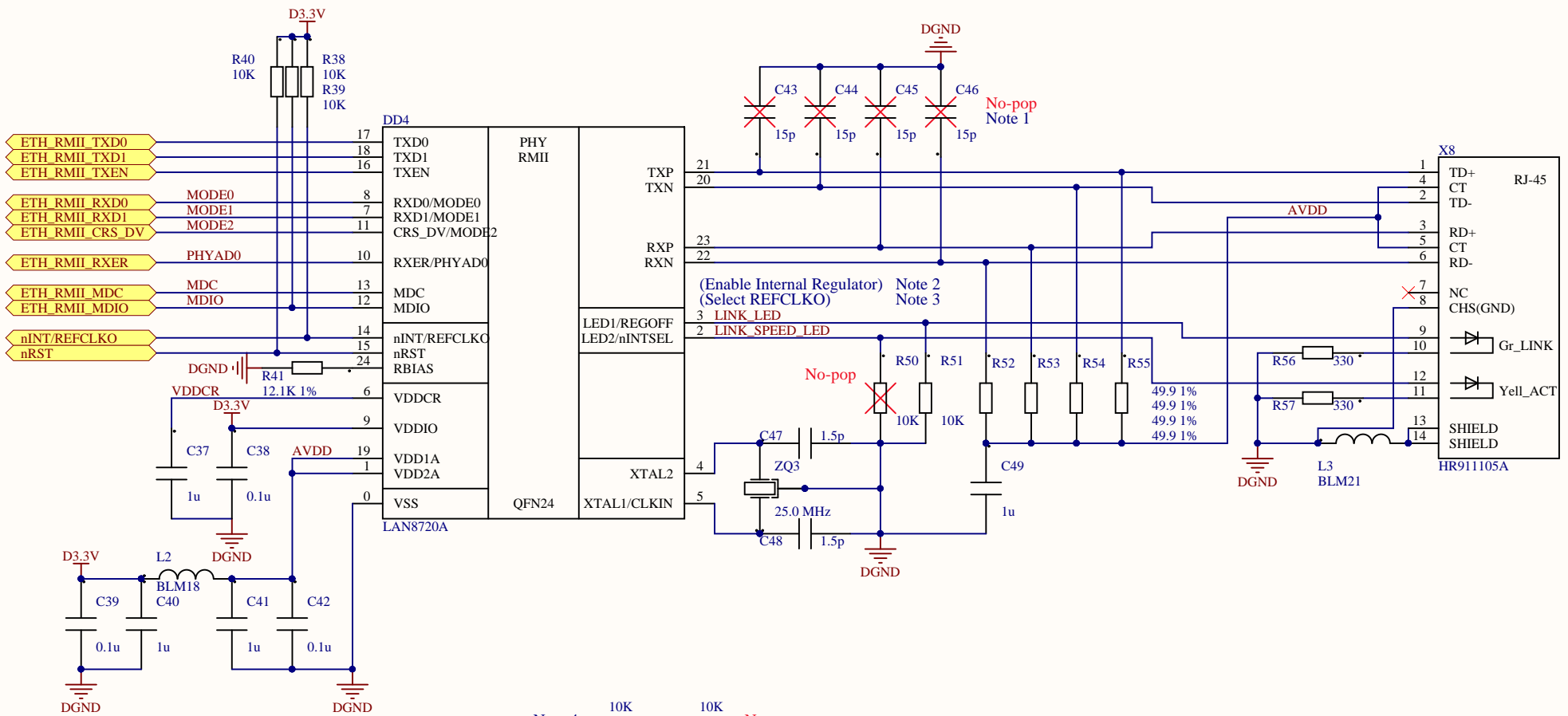


SI-STM32F4x7-WEB





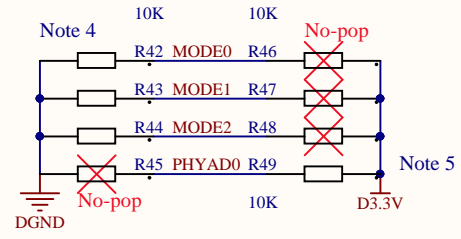
Note 1 (Used to reduce the electromagnetic radiation)

Note 2 (When REGOFF) is floating or pulled low, the internal regulator is enable (default))

Note 3 (When nINTSEL is floated or pulled to VDD2A, nINT is selected for operation on the nINT/REFCLKO pin (default))
 When nINTSEL is lullled low to VSS, REFCLKO is selected for operation on the nINT/REFCLKO pin)

Note 4 (See the document LAN8720A on page 32, table 3.4 10Base-T Half Duplex. Auto-negotiation disabled)

Note 5 (PHYAD = 1, see application)



ETH_LAN8720A_PHY_RMII

1

2

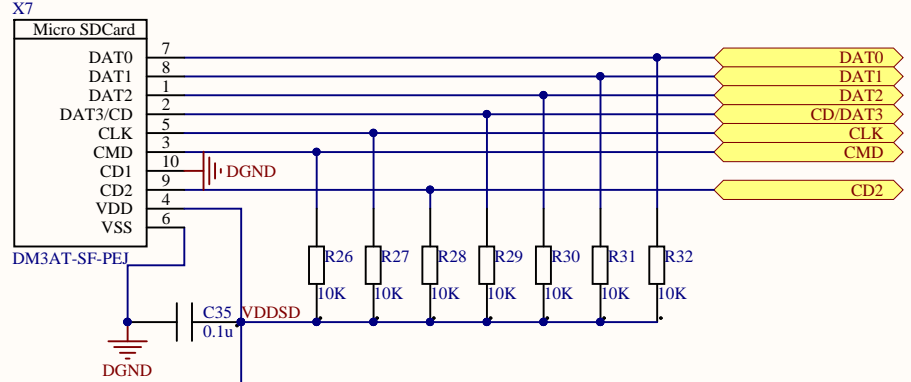
3

4

A

A

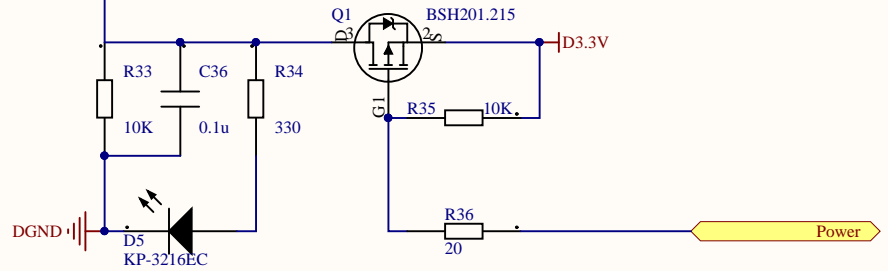
SDCard



B

B

Power



C

C

D

D

1

2

3

4

1

2

3

4

A

A

B

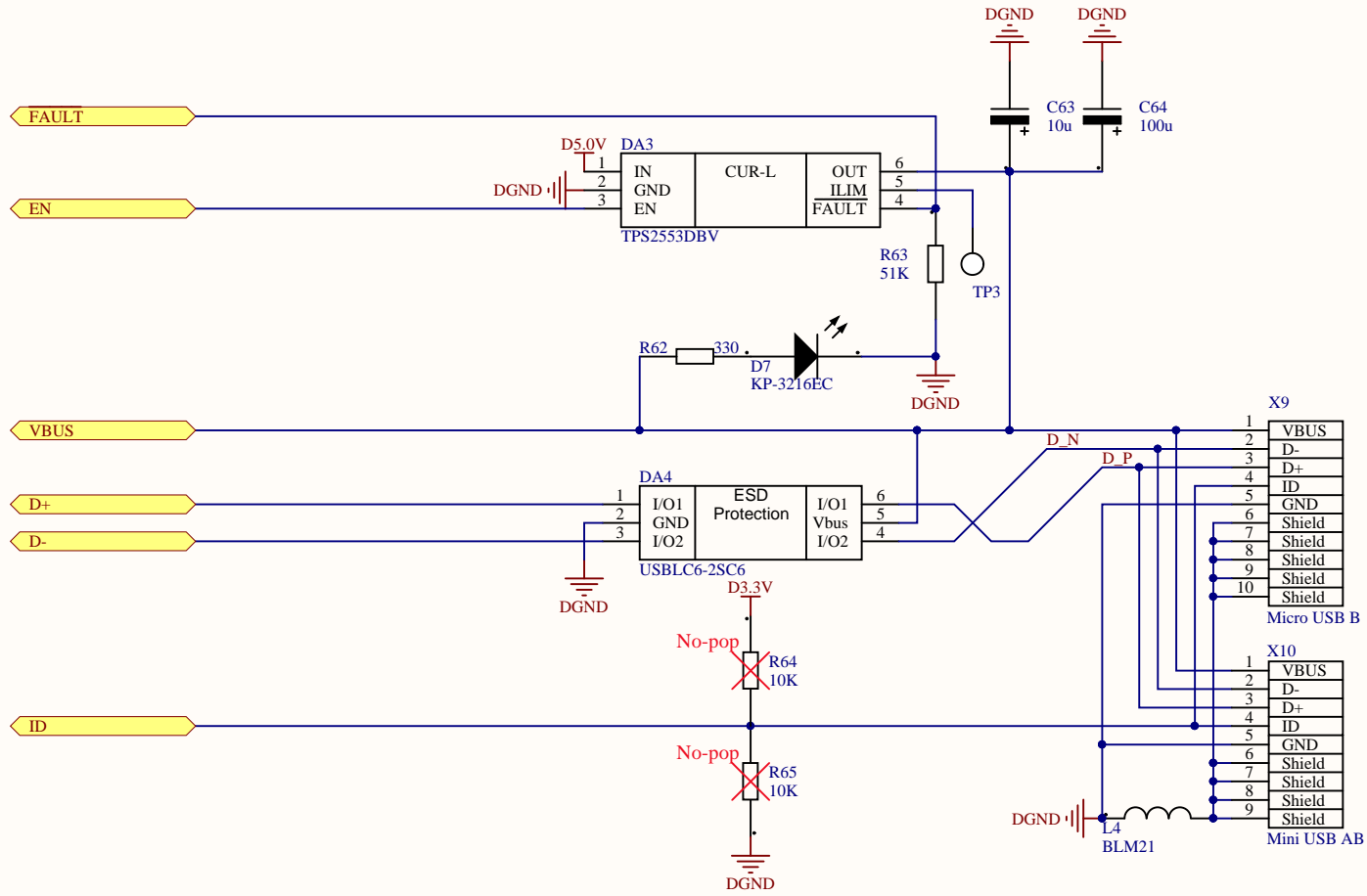
B

C

C

D

D



USB_FS

1

2

3

4

1

2

3

4

A

A

B

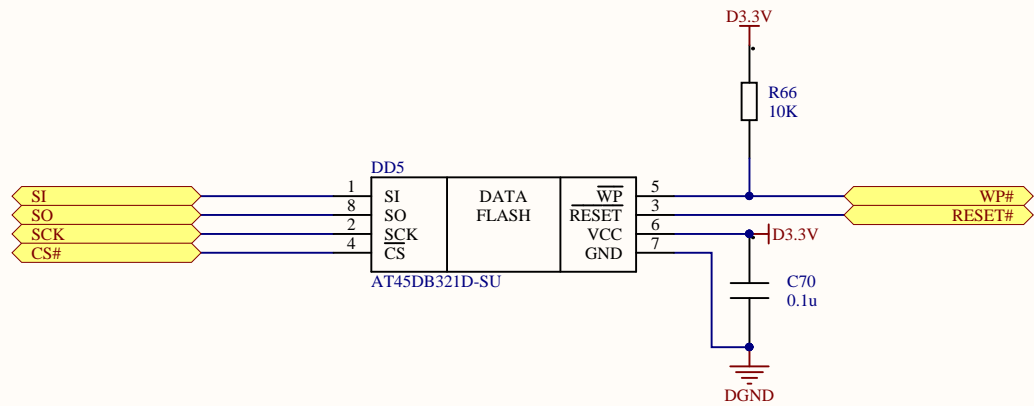
B

C

C

D

D



DATA FLASH

1

2

3

4